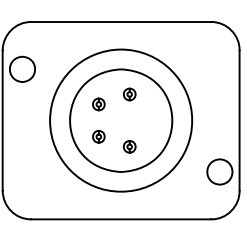
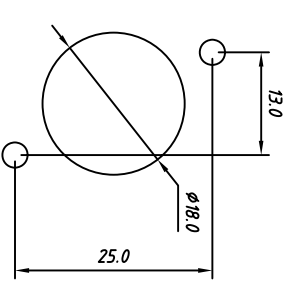
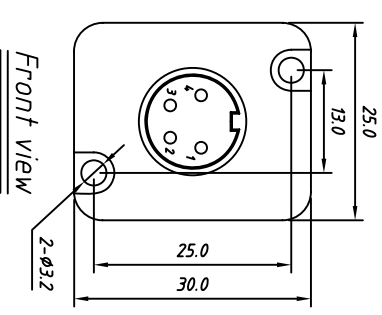
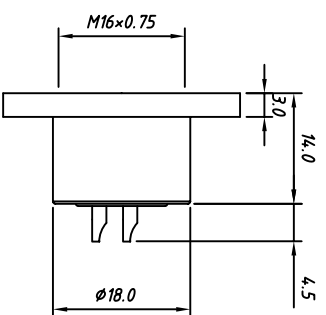


	1	2	3	4	5	6	7	8
	Female insert (mating shield)	Contact code	Rated Current	Rated Voltage	Withstand voltage	Insulation resistance	Contact resistance	Contact Diameter
A		02	7	250	1500	1500	5	Ø1.5
B		03	7	250	1500	1500	5	Ø1.5
		04	7	250	1500	1500	5	Ø1.5
		05	6	250	1500	1500	5	Ø1.5
C		5A	5	50	500	1000	5	Ø1.5
		06	5	250	1500	1500	5	Ø1.5
D		07	5	50	800	1000	5	Ø1.5
		08	5	50	500	1000	5	Ø1.5
E		12	5	50	500	1000	3	Ø1.0
		14	5	50	500	1000	3	Ø1.0
F		16	5	50	500	1000	3	Ø1.0
		19	5	50	500	1000	3	Ø1.0
G		24	5	50	500	1000	3	Ø0.5
H	UNIT	A	V	V.A.C	MΩ	mΩ	mm	



Order information

L-KLS15-253-J09-XX M7
 L: RoHS
 J09: C091 Miniature Circular Connector
 XX: Contacts Code
 M7: Soldering Connectors Flange Panel mount, Female Pin

GENERAL TOLERANCE

X: ±0.60	X: ±5°
.X: ±0.38	.X: ±3°
.XX: ±0.25	.XX: ±2°

ANGLE TOLERANCE

X: ±5°	mm
.X: ±3°	mm
.XX: ±2°	mm

Draw by:	PROJECTION	UNITS	SHEET SIZE
Check by:	SCALE	A4	

Material: Zinc alloy, Nickel plated
SHELL Housing: PA66+GF 20%
Insert Housing: Brass, Silver plated
Contact: Solder
Termination: Threaded Coupling
Locking: Straight
Version: 500 cycles
Mating life: IP65
IP rating: Cable Diameter: Ø6.0 ~ Ø8.5mm
Temperature Range: -25°C ~ +80°C

Description: Soldering Connectors, Flange Panel mount, Female, C091 Miniature Circular

Description: KLS P/N: KLS15-253-J09-XXM7

Manufacturer: KLS ELECTRONIC CO., LTD.