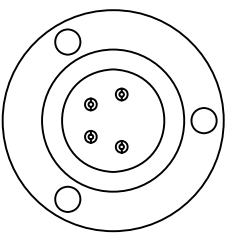
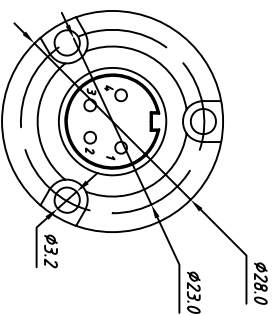
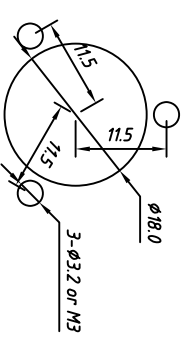
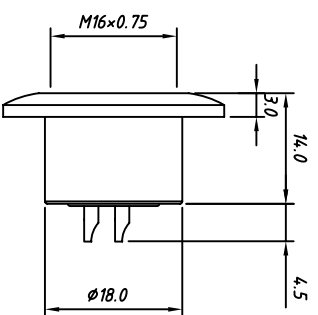


	1		2			3		4		5		6		7		8	
	Female insert (mating shield)	Contact code	Rated Current	Rated Voltage	Withstand voltage	Insulation resistance	Contact resistance	Contact resistance	Contact resistance	Contact resistance	Contact resistance	Contact resistance	Contact resistance	Contact resistance	Contact resistance	Contact resistance	Contact resistance
A		02	7	250	1500	1500	5	5	5	5	5	5	5	5	5	5	5
B		03	7	250	1500	1500	5	5	5	5	5	5	5	5	5	5	5
		04	7	250	1500	1500	5	5	5	5	5	5	5	5	5	5	5
		05	6	250	1500	1500	5	5	5	5	5	5	5	5	5	5	5
C		5A	5	50	500	1000	5	5	5	5	5	5	5	5	5	5	5
		06	5	250	1500	1500	5	5	5	5	5	5	5	5	5	5	5
D		07	5	50	800	1000	5	5	5	5	5	5	5	5	5	5	5
		08	5	50	500	1000	5	5	5	5	5	5	5	5	5	5	5
E		12	5	50	500	1000	3	3	3	3	3	3	3	3	3	3	3
		14	5	50	500	1000	3	3	3	3	3	3	3	3	3	3	3
F		16	5	50	500	1000	3	3	3	3	3	3	3	3	3	3	3
		19	5	50	500	1000	3	3	3	3	3	3	3	3	3	3	3
G		24	5	50	500	1000	3	3	3	3	3	3	3	3	3	3	3
	UNIT	A	V	V.A.C	MΩ	mΩ	mΩ	mm									



Front view

Back view

Order information

L-KLS15-253-J09-XX M8

- L: RoHS
- J09: C091 Miniature Circular Connector
- XX: Connector Code
- M8: Soldering Connectors, Circular Panel mount, Female Pin

GENERAL TOLERANCE

X: ±0.60	X: ±5°
.X: ±0.38	.X: ±3°
.XX: ±0.25	.XX: ±2°

ANGLE TOLERANCE

X: ±5°
.X: ±3°
.XX: ±2°

Projection:

Projection:

Projection:

IP rating: IP65  
 Cable Diameter: φ6.0 ~ φ8.5mm  
 Temperature Range: -25°C ~ +80°C

Description: Soldering Connectors, Circular Panel mount, Female, C091 Miniature Circular

KLS P/N: KLS15-253-J09-XXM8

KLS ELECTRONIC CO., LTD.

1	2	3	4	5	6	7	8
---	---	---	---	---	---	---	---