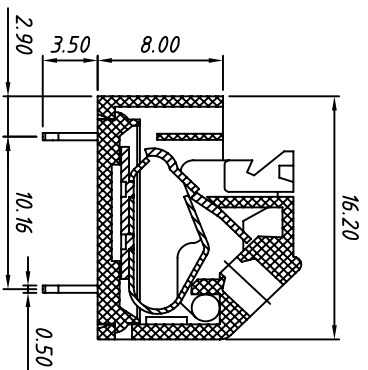


PCB LAYOUT



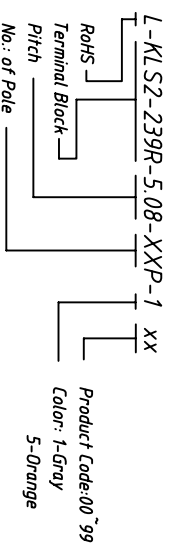
SECTION A-A

Material
Housing: PA66, UL94V-0
Pin header: Brass, Tin plated
Wire guard: Stainless steel

Electrical
Rated voltage: 300V
Rated current: 10A
Wire range: 22 ~ 14AWG 15mm²
Contact Resistance: 20 mΩ
Insulation resistance: 500MΩ/DC500V
Withstand voltage: AC2500V / 1min

Mechanical
Temp. Range: -30 °C ~ +105 °C
Soldering: 250 °C ±5 °C for SS
Strip length: 9 ~ 10 mm

Order Information



GENERAL TOLERANCE		ANGLE TOLERANCE		PROJECTION	
X. ±0.60	X. ±5°	X. ±2°	⊕	mm	A4
X ±0.38	.X ±3°	.XX ±2°	⊖	mm	
XX ±0.25					
Draw by 2015-09-01	Check by 2015-09-15	2015-09-01	2015-09-15		
SCALE		SHEET SIZE		A4	

Description: Spring Clamp Terminal Block 5.08mm

KLS P/N: KLS2-239R-5.08-XXP-1

KLS ELECTRONIC CO., LTD.