

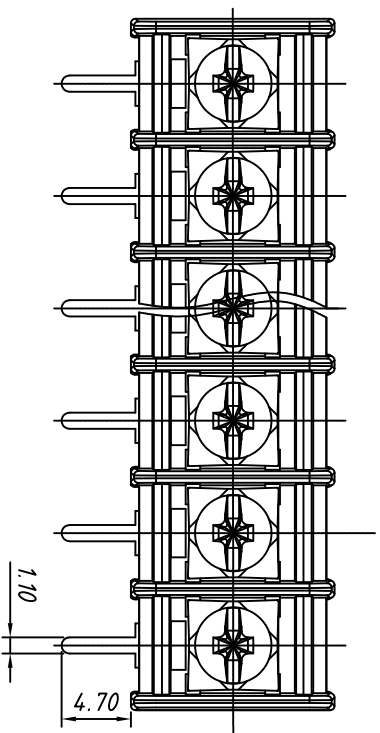
SECTION A-A

**Material**  
 Screw: M3.0, Steel, Ni Plated  
 Pin header: Brass, 0.8t, Tin Plated  
 Housing: PA66, UL94V-0,Black

**Electrical**  
 Rated voltage: 300V  
 Rated current: 15A

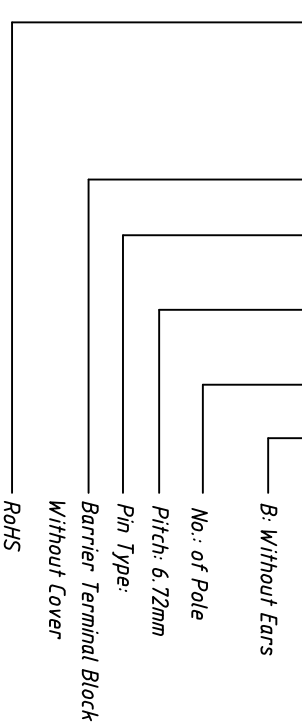
Wire range: 22~14AWG 2.5mm<sup>2</sup>  
 Contact Resistance: 20 mΩ  
 Insulation resistance: 500MΩ/DC500V  
 Withstand voltage: AC2000V / 1min

**Mechanical**  
 Temp. Range: -40 °C ~ +105 °C  
 Torque: 0.5Nm (4.5Lb.in)



**Order Information**

L-KLS2- 25 R - 6.72-XXP-B



GENERAL TOLERANCE		ANGLE TOLERANCE		PROJECTION		Description:
X: ±0.60	.X ±0.38	.XX ±0.25	X: ±5°	.X ±3°	.XX ±2°	
Draw by: Date	2015-09-01	Check by: Date	2015-09-15	SHEET	OF	<b>KLS</b> NingBo KLS ELECTRONIC CO., LTD.
SCALE		SHEET				
Barrier TERM BLOCK 6.72MM		KLS P/N:		KLS2-25R-6.72-XXP-B		