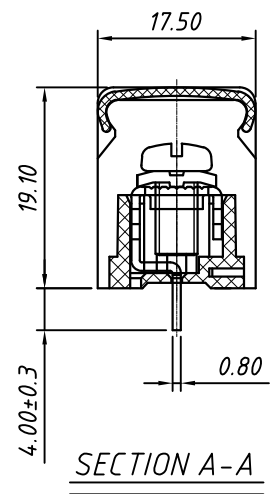
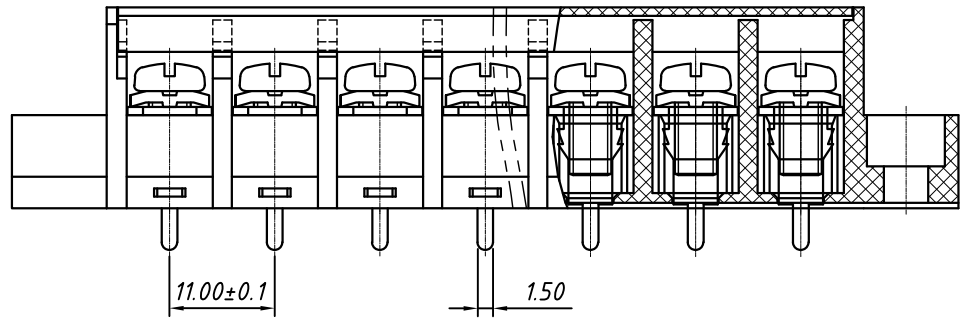


1 2 3 4 5 6 7 8

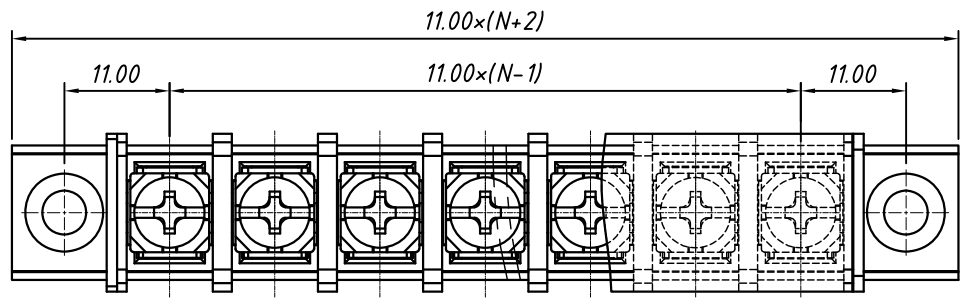
A  
B  
C  
D  
E  
F  
G  
H



**Material**  
 Screw: M4.0, Steel, Ni Plated  
 Pin header: Brass, 0.8T, Tin Plated  
 Housing: PA66, UL94V-0, Black

**Electrical**  
 Rated voltage: 300V  
 Rated current: 20A  
 Wire range: 22~12AWG 4mm<sup>2</sup>  
 Contact Resistance: 20 mΩ  
 Insulation resistance: 500MΩ/DC500V  
 Withstand voltage: AC2000V / 1 min

**Mechanical**  
 Temp. Range: -40 °C ~ +105 °C  
 Torque: 1.2 N.m (10.6 Lb. in)



**Order Information**  
 L-KLS2- 48 A - 11.0-XXP-A

- A: With Ears
- No.: of Pole
- Pitch: 11.0mm
- Pin Type:
- Barrier Terminal Block With Cover
- RoHS

GENERAL TOLERANCE		ANGLE TOLERANCE		PROJECTION		Description:	
X	±0.60	X	±5°	UNITS	mm	Barrier TERM BLOCK 11.0MM	
.X	±0.38	.X	±3°	SHEET SIZE	A4		
.XX	±0.25	.XX	±2°	KLS P/N:			

Draw by: Date 2015-09-01  
 Check by: Date 2015-09-15  
 SCALE SHEET OF

NingBo KLS ELECTRONIC CO.,LTD.

1 2 3 4 5 6 7 8