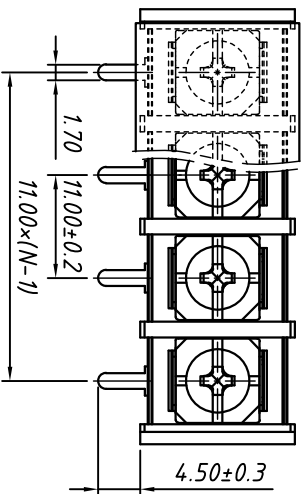


SECTION A-A



Material
 Screw: M4.0, Steel, Ni Plated
 Pin header: Brass, 0.8T, Tin Plated
 Housing: PA66, UL94V-0,Black

Electrical

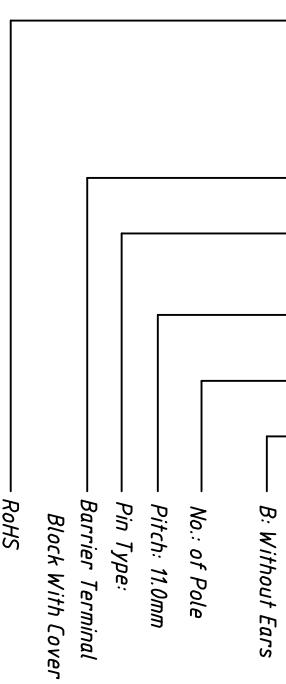
Rated voltage: 300V
 Rated current: 20A
 Wire range: 22~12AWG 4mm²
 Contact Resistance: 20 mΩ
 Insulation resistance: 500MΩ/DC500V
 Withstand voltage: AC2000V / 1min

Mechanical

Temp. Range: -40 °C ~ + 105 °C
 Torque: 1.2 Nm (10.6 Lb. In)

Order Information

L-KLS2-48 R - 11.0-XXP-B



GENERAL TOLERANCE		ANGLE TOLERANCE		PROJECTION		Description:
X: ±0.60	.X: ±0.38	.XX: ±0.25	X: ±5°	.X: ±3°	.XX: ±2°	
Draw by: Date	2015-09-01	SHEET	OF	Barrier TERM BLOCK 10.0MM		
Check by: Date	2015-09-15					
SCALE				KLS2-48R-11.0-XXP-B		



Ningbo KLS ELECTRONIC CO., LTD.