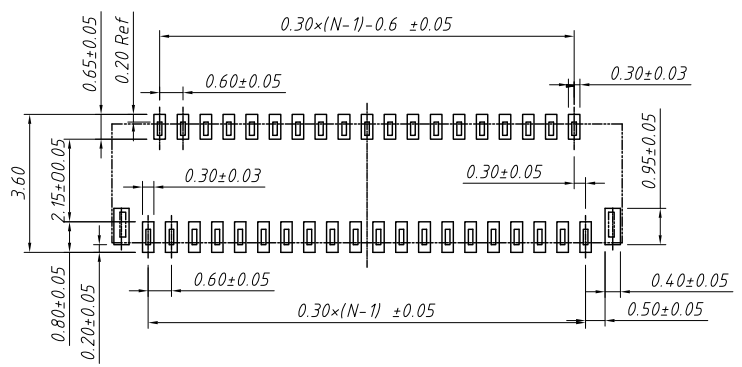
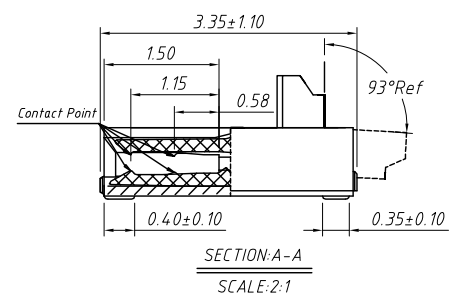
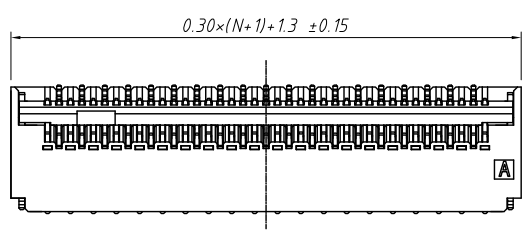
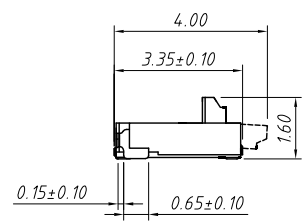
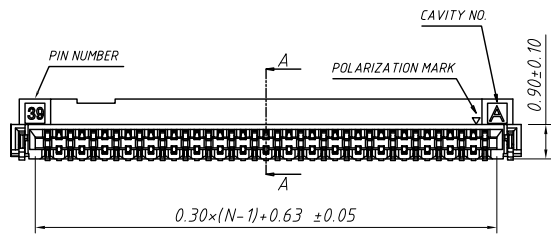


RoHS Compliant



Recommended PCB Layout

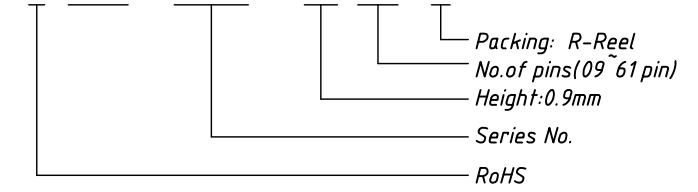
Material
 Housing: Thermoplastic UL 94V-0
 Cover: Thermoplastic UL 94V-0
 Terminal: Phosphor Bronze
 Stator: Phosphor Bronze

Electrical
 Voltage Rating(Max.): 30V
 Current Rating(Max.): 0.2A

Mechanical
 Temp. Range: -55 °C ~ +85 °C

Order Information

L-KLS1- 1244G - 0.9-XX -R



GENERAL TOLERANCE		ANGLE TOLERANCE		PROJECTION	Description:
X	±0.15	X	±5°	UNITS	CONN FFC 0.3mm,SMD,Horizontal,with ZIF
.X	±0.03	.X	±3°	SHEET SIZE	
.XX	±0.05	.XX	±2°	KLS P/N:	
					L-KLS1-1244G-0.9-XX-R

Draw by: Date	2018-03-10
Check by: Date	2018-03-10
SCALE	SHEET OF

NingBo KLS ELECTRONIC CO.,L TD.