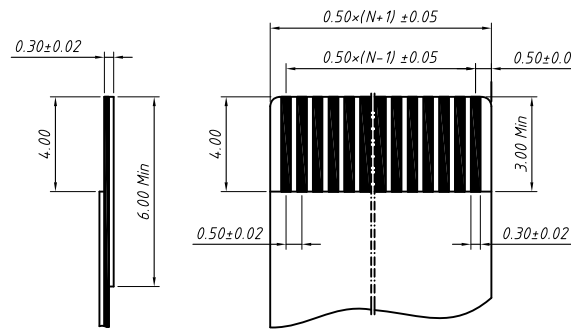
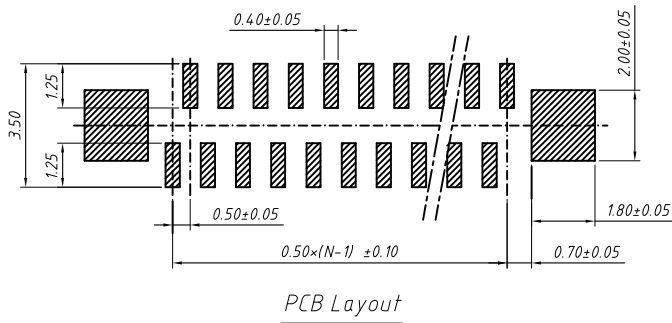


Material
 Housing: LCP UL94V-0
 Terminal: Phosphor Bronze Tin-plated
 Fitting Nial: Phosphor Bronze Tin-plated

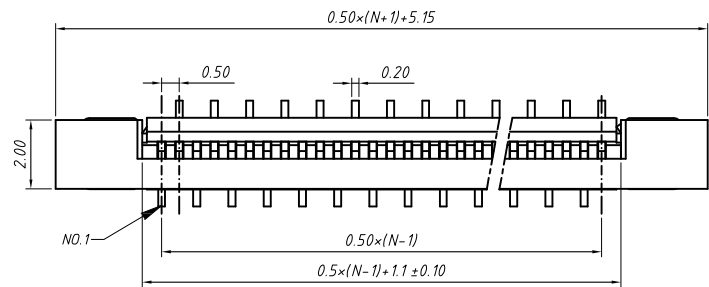
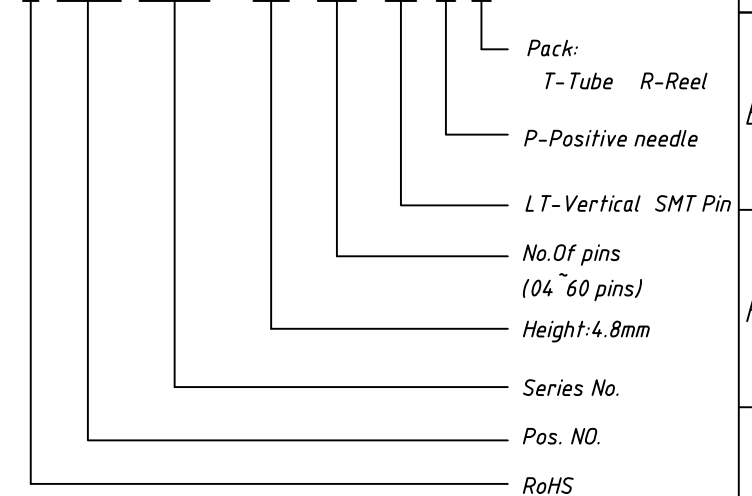
Electrical
 Voltage rating: 50 V
 Current rating: 0.4 A
 Withstanding Voltage: 200 V
 Insulation resistance: 500M Ω .Min.
 Contact resistance: 20 m Ω .Max.

Mechanical
 Temp. Range: -25 °C ~ +85 °C



Order Information

L-KLS1-1242E - 4.8-XX-LT-P-R



GENERAL TOLERANCE	ANGLE TOLERANCE	PROJECTION		Description:
X. ± 0.15	X. $\pm 5^\circ$	UNITS	mm	CONN FFC 0.50mm,SMD,Vertical,with ZIF
.X ± 0.03	.X $\pm 3^\circ$	SHEET SIZE	A4	
.XX ± 0.05	.XX $\pm 2^\circ$		KLS P/N:	

Draw by: Date	2018-03-10
Check by: Date	2018-03-10
SCALE	SHEET OF

NingBo KLS ELECTRONIC CO.,L TD.

1 2 3 4 5 6 7 8

A

A

Material
 Housing: LCP UL94V-0
 Terminal: Phosphor Bronze Tin-plated
 Fitting Nial: Phosphor Bronze Tin-plated

B

B

Electrical
 Voltage rating: 50 V
 Current rating: 0.4 A
 Withstanding Voltage: 200 V
 Insulation resistance: 500MΩ.Min.
 Contact resistance: 20 mΩ.Max.

C

C

Mechanical
 Temp. Range: -25 °C ~ +85 °C

D

D

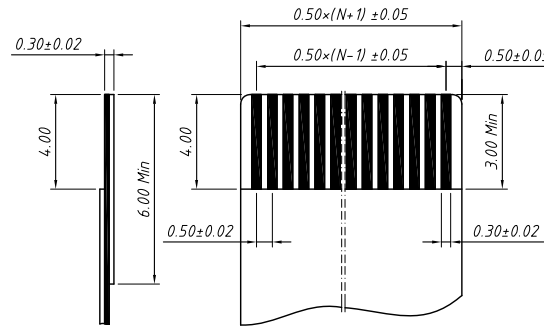
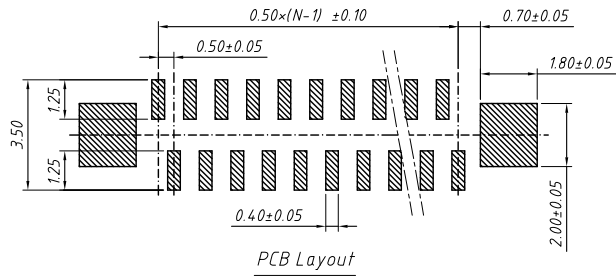
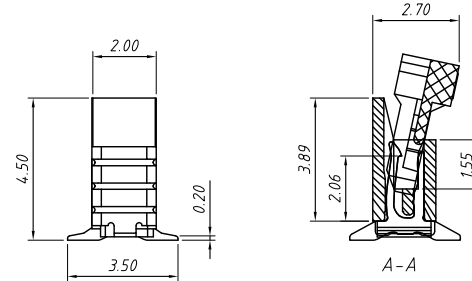
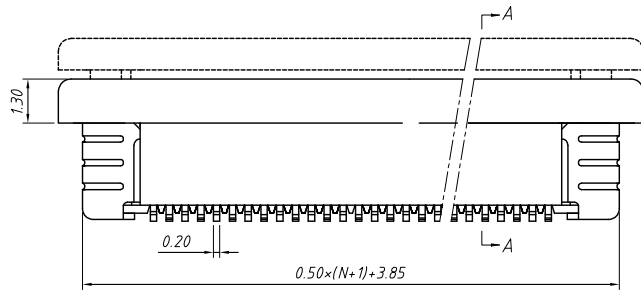
Order Information

L-KLS1- 1242E - 4.8- XX -LT-A-R

- Pack: T-Tube R-Reel
- A-Anti-needle
- LT-Vertical SMT Pin
- No.Of pins (04~60 pins)
- Height:4.8mm
- Series No.
- Pos. NO.
- RoHS

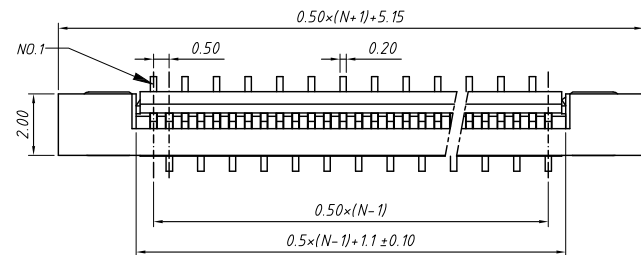
E

E



F

F



H

H

GENERAL TOLERANCE	ANGLE TOLERANCE	PROJECTION	Description:
X. ± 0.15	X. $\pm 5^\circ$	UNITS	CONN FFC 0.50mm,SMD,Vertical,with ZIF
.X ± 0.03	.X $\pm 3^\circ$	SHEET SIZE	
.XX ± 0.05	.XX $\pm 2^\circ$	KLS P/N:	

Draw by: Date	2018-03-10
Check by: Date	2018-03-10
SCALE	SHEET OF

KLS NingBo KLS ELECTRONIC CO.,L TD.

1 2 3 4 5 6 7 8