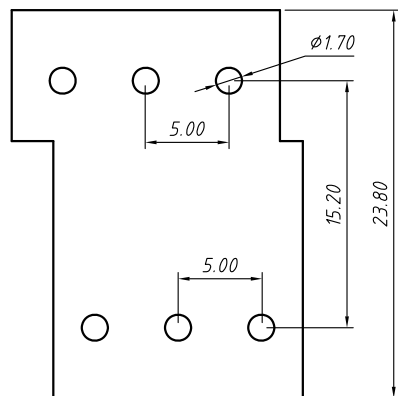


SECTION A-A



TOLERANCES EXCEPT AS NOTED

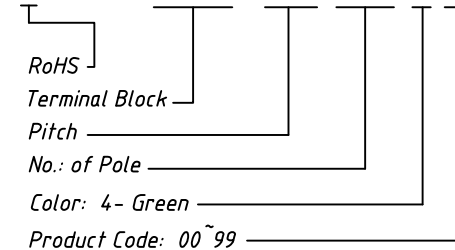
**Material**  
**Housing:** PA66, UL94V-0  
**Pin header:** Brass, Tin plated

**Electrical**  
**Rated voltage:** 300V  
**Rated current:** 15A  
**Contact Resistance:** 20 mΩ  
**Insulation resistance:** 500MΩ/DC500V  
**Withstand voltage:** AC2000V / 1 min

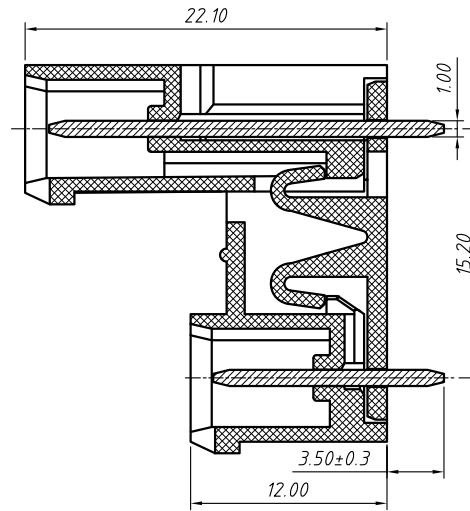
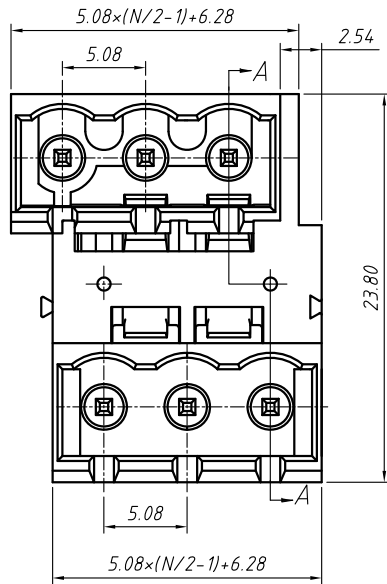
**Mechanical**  
**Temp. Range:** -40 °C ~ +105 °C

**Order Information**

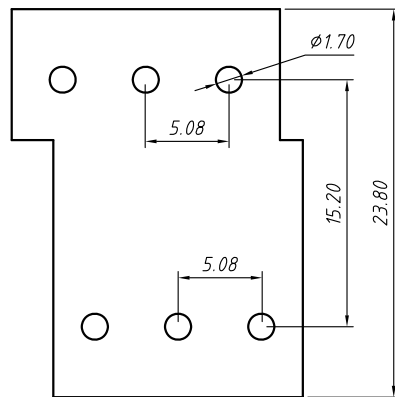
L-KLS2-EDCVC-5.00-XXP-4 00



GENERAL TOLERANCE		ANGLE TOLERANCE		Description:	
X.	±0.60	X.	±5°	Pluggable Terminal Block 5.00MM	
.X	±0.38	.X	±3°		
.XX	±0.25	.XX	±2°		
Draw by	2015-09-01	PROJECTION		KLS P/N:	KLS2-EDCVC-5.00-XXP-4-00
Check by	2015-09-15	UNITS	mm		NingBo KLS ELECTRONIC CO.,L TD.
SCALE		SHEET SIZE	A4		



SECTION A-A



TOLERANCES EXCEPT AS NOTED

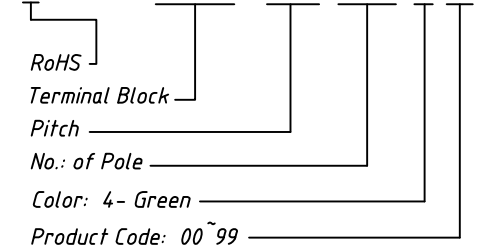
**Material**  
**Housing:** PA66, UL94V-0  
**Pin header:** Brass, Tin plated

**Electrical**  
**Rated voltage:** 300V  
**Rated current:** 15A  
**Contact Resistance:** 20 mΩ  
**Insulation resistance:** 500MΩ/DC500V  
**Withstand voltage:** AC2000V / 1 min

**Mechanical**  
**Temp. Range:** -40 °C ~ +105 °C

**Order Information**

L-KLS2-EDCVC-5.08-XXP-4 00



GENERAL TOLERANCE		ANGLE TOLERANCE		Description:	
X. ±0.60		X. ±5°		Pluggable Terminal Block 5.08MM	
.X ±0.38		.X ±3°			
.XX ±0.25		.XX ±2°		KLS P/N:	KLS2-EDCVC-5.08-XXP-4-00
Draw by	2015-09-01	PROJECTION			NingBo KLS ELECTRONIC CO.,L TD.
Check by	2015-09-15	UNITS	mm		
SCALE		SHEET SIZE	A4		