

SECTION A-A

Material
 Housing: PA66, UL 94V-0
 Cage: Brass, Nickel plated
 Clamp: Phosphor bronze, Nickel plated
 Screw: M3 Steel, Zn plated

Electrical
 Rated voltage: 300V
 Rated current: 15A
 Contact Resistance: 20 mΩ
 Insulation resistance: 500MΩ/DC500V
 Withstand voltage: AC2000V / 1 min
 Wire Range: 28 ~ 14AWG 2.5mm²

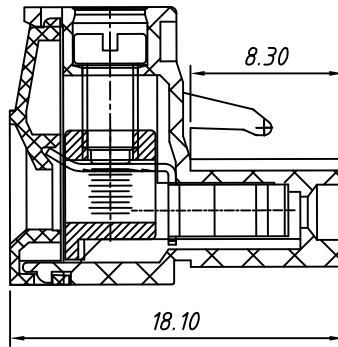
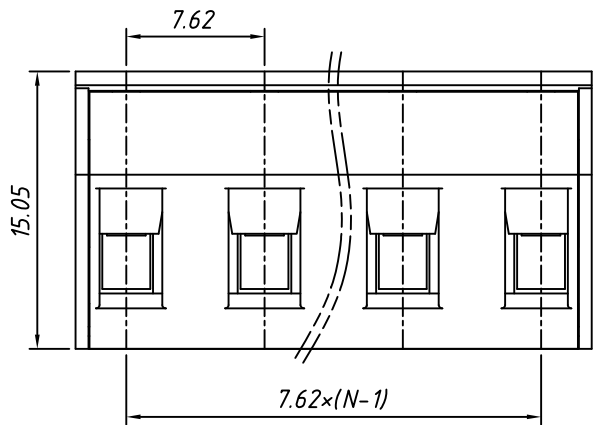
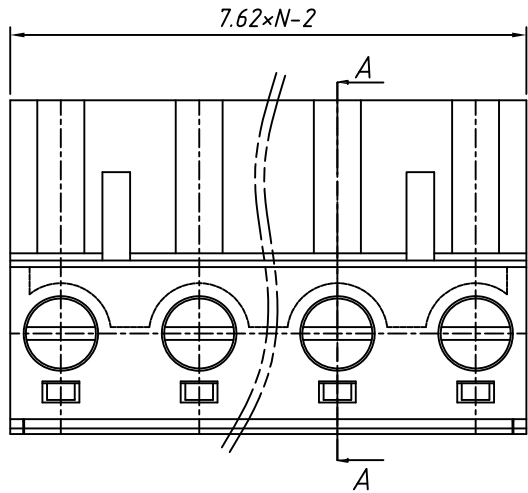
Mechanical
 Temp. Range: -40 °C ~ +105 °C
 Strip length: 7 ~ 8mm
 Torque: 5.1kgf-cm (4.43Lbin)

Order Information

L-KLS2-EDK-7.50-XXP-4 S 00

RoHS
 Terminal Block
 Pitch
 No.: of Pole
 Color: 4- Green
 Screw: S-Slot Screw C-Cross Screw
 Product Code: 00 ~ 99

GENERAL TOLERANCE		ANGLE TOLERANCE		Description:	
X. ±0.60		X. ±5°		Plug-in TERM BLOCK 7.50MM	
.X ±0.38		.X ±3°		KLS P/N:	KLS2-EDK-7.50-XXP-4X
.XX ±0.25		.XX ±2°			
Draw by	2015-09-01	PROJECTION		NingBo KLS ELECTRONIC CO.,L TD.	
Check by	2015-09-15	UNITS	mm		
SCALE		SHEET SIZE	A4		



SECTION A-A

Material
 Housing: PA66, UL 94V-0
 Cage: Brass, Nickel plated
 Clamp: Phosphor bronze, Nickel plated
 Screw: M3 Steel, Zn plated

Electrical
 Rated voltage: 300V
 Rated current: 15A
 Contact Resistance: 20 mΩ
 Insulation resistance: 500MΩ/DC500V
 Withstand voltage: AC2000V / 1 min
 Wire Range: 28 ~ 14AWG 2.5mm²

Mechanical
 Temp. Range: -40 °C ~ +105 °C
 Strip length: 7 ~ 8mm
 Torque: 5.1kgf-cm (4.43Lbin)

Order Information

L-KLS2-EDK-7.62-XXP-4 S 00

RoHS
 Terminal Block
 Pitch
 No.: of Pole
 Color: 4- Green
 Screw: S-Slot Screw C-Cross Screw
 Product Code: 00 ~ 99

GENERAL TOLERANCE		ANGLE TOLERANCE		Description:	
X. ±0.60		X. ±5°		Plug-in TERM BLOCK 7.62MM	
.X ±0.38		.X ±3°		KLS P/N:	KLS2-EDK-7.62-XXP-4X
.XX ±0.25		.XX ±2°			
Draw by	2015-09-01	PROJECTION		NingBo KLS ELECTRONIC CO.,L TD.	
Check by	2015-09-15	UNITS	mm		
SCALE		SHEET SIZE	A4		