

SECTION: A-A

**Material**  
**Housing:** PA66, UL 94V-0  
**Cage:** Brass, Ni plated  
**Clamp:** Phosphor bronze, Ni plated  
**Screws:** M3.0, Steel, Zn plated

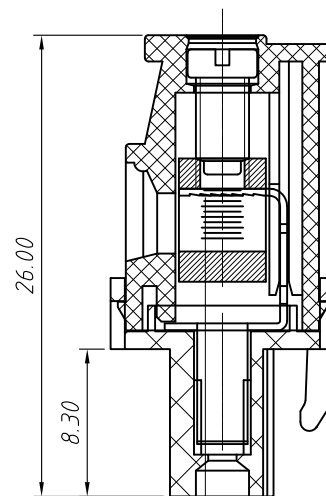
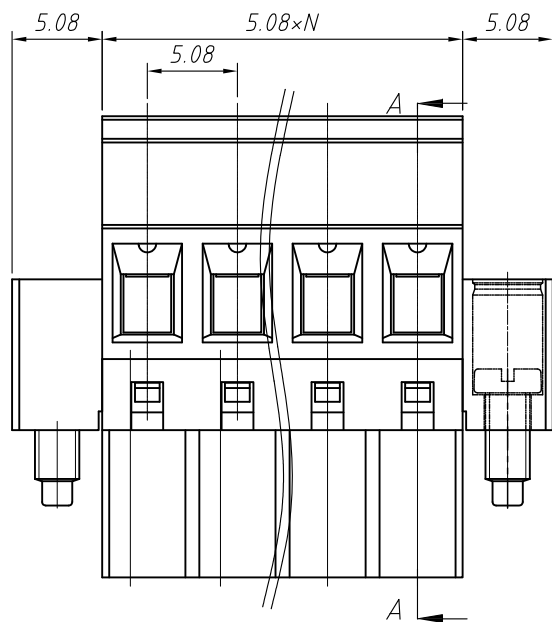
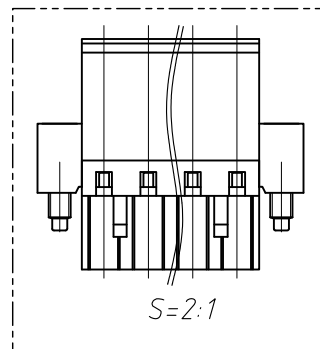
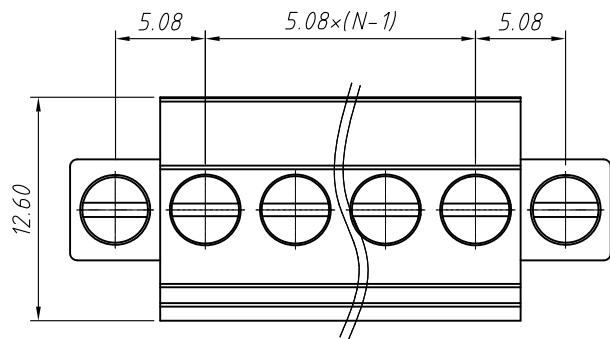
**Electrical**  
**Rated voltage:** 300V  
**Rated current:** 15A  
**Contact Resistance:** 20 mΩ  
**Insulation resistance:** 500MΩ/DC500V  
**Withstand voltage:** AC2000V / 1 min  
**Wire Range:** 28 ~ 14AWG 1.5mm<sup>2</sup>

**Mechanical**  
**Temp. Range:** -40 °C ~ +105 °C  
**Strip length:** 7 ~ 8mm  
**Torque:** 0.5Nm (4.5Lbin)

**Order Information**

L-KLS2- EDKBM -5.00-XXP-4 S 00  
 RoHS  
 Terminal Block  
 Pitch  
 No.: of Pole  
 Color: 4- Green  
 Screw: S-Slot Screw C-Crass Screw  
 Product Code: 00 ~ 99

GENERAL TOLERANCE		ANGLE TOLERANCE		Description:
X. ±0.60		X. ±5°		Pluggable Terminal Block 5.00 MM
.X ±0.38		.X ±3°		
.XX ±0.25		.XX ±2°		
Draw by	2015-09-01	PROJECTION		KLS P/N: KLS2-EDKBM-5.00-XXP-4S-00
Check by	2015-09-15	UNITS	mm	NingBo KLS ELECTRONIC CO.,L TD.
SCALE		SHEET SIZE	A4	



**Material**  
 Housing: PA66, UL 94V-0  
 Cage: Brass, Ni plated  
 Clamp: Phosphor bronze, Ni plated  
 Screws: M3.0, Steel, Zn plated

**Electrical**  
 Rated voltage: 300V  
 Rated current: 15A  
 Contact Resistance: 20 mΩ  
 Insulation resistance: 500MΩ/DC500V  
 Withstand voltage: AC2000V / 1 min  
 Wire Range: 28 ~ 14AWG 1.5mm<sup>2</sup>

**Mechanical**  
 Temp. Range: -40 °C ~ +105 °C  
 Strip length: 7 ~ 8mm  
 Torque: 0.5Nm (4.5Lbin)

**Order Information**

L-KLS2- EDKBM -5.08-XXP-4 S 00  
 RoHS  
 Terminal Block  
 Pitch  
 No.: of Pole  
 Color: 4- Green  
 Screw: S-Slot Screw C-Cross Screw  
 Product Code: 00 ~ 99

GENERAL TOLERANCE		ANGLE TOLERANCE		Description:	
X. ±0.60		X. ±5°		Pluggable Terminal Block 5.08 MM	
.X ±0.38		.X ±3°		KLS P/N:	KLS2-EDKBM-5.08-XXP-4S-00
.XX ±0.25		.XX ±2°			
Draw by	2015-09-01	PROJECTION		NingBo KLS ELECTRONIC CO.,L TD.	
Check by	2015-09-15	UNITS	mm		
SCALE		SHEET SIZE	A4		