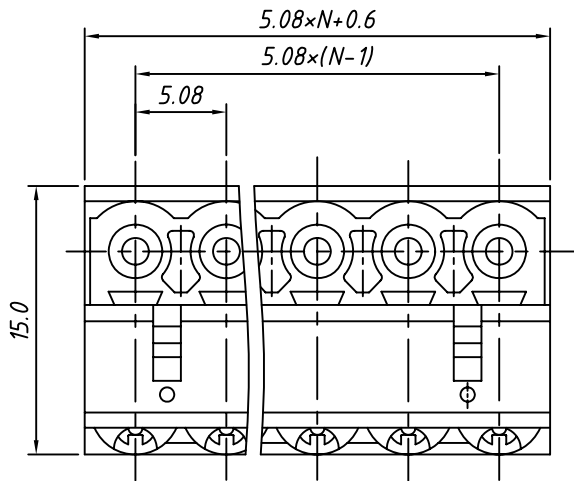


SECTION A-A



Material

Clamp: Phosphor Bronze, Tin plated

Housing: PA66, UL94V-0

Shrapnel: Stainless Steel

Electrical

Rated voltage: 300V

Rated current: 10A

Wire Range: 28~14AWG 2.5mm²

Contact Resistance: 20 mΩ

Insulation resistance: 500MΩ/DC500V

Withstand voltage: AC2000V / 1 min

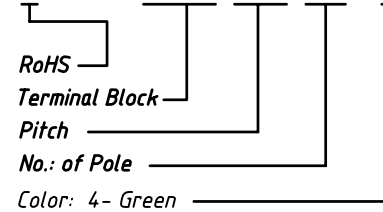
Mechanical

Temp. Range: -40 °C ~ +105 °C

Strip Length: 7~8mm

Order Information

L-KLS2-EDKE-5.08-XXP-4



GENERAL TOLERANCE	ANGLE TOLERANCE	PROJECTION	Description:
X. ±0.60	X. ±5°	UNITS	Plug-in TERM BLOCK 5.08MM
.X ±0.38	.X ±3°	SHEET SIZE	
.XX ±0.25	.XX ±2°	KLS P/N:	

Draw by: Date	2015-09-01
Check by: Date	2015-09-15
SCALE	SHEET OF

KLS ELECTRONIC CO., LTD.