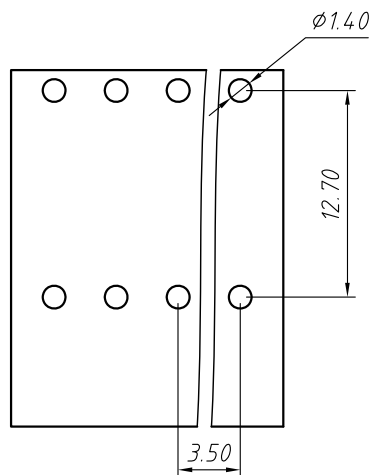


SECTION A-A



Material
Housing: PA66, UL94V-0
Pin header: Brass, Tin plated

Electrical
Rated voltage: 300V
Rated current: 8A
Contact Resistance: 20 mΩ
Insulation resistance: 500MΩ/DC500V
Withstand voltage: AC2000V / 1 min

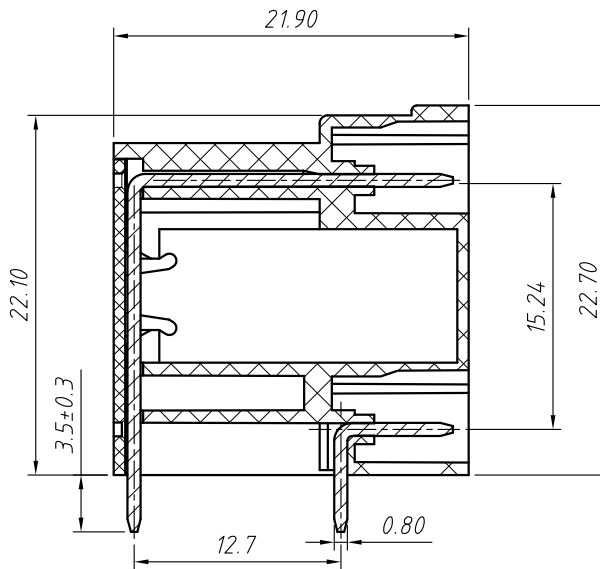
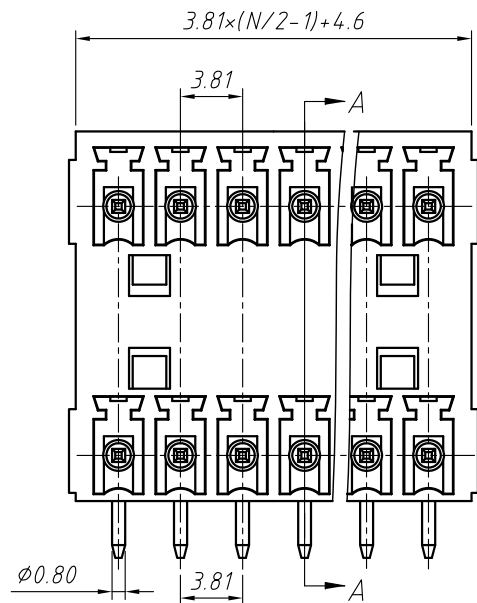
Mechanical
Temp. Range: $-40^{\circ}\text{C} \sim +105^{\circ}\text{C}$

Order Information

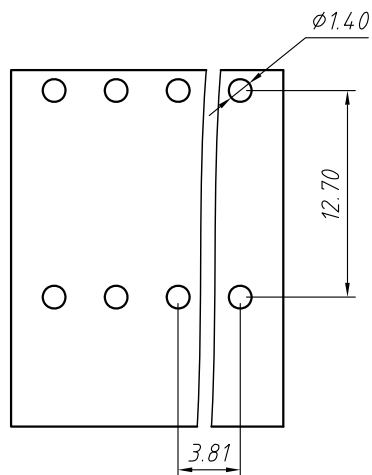
L-KLS2-EDAR-3.50-XXP-4 00

RoHS
Terminal Block
Pitch
No.: of Pole
Color: 4- Green
Product Code: 00~99

GENERAL TOLERANCE		ANGLE TOLERANCE		Description:	
X. ± 0.60		X. $\pm 5^{\circ}$		Pluggable Terminal Block 3.5 MM	
.X ± 0.38		.X $\pm 3^{\circ}$			
.XX ± 0.25		.XX $\pm 2^{\circ}$		KLS P/N:	KLS2-EDAR-3.50-XXP-4-00
Draw by	2015-09-01	PROJECTION			NingBo KLS ELECTRONIC CO.,L TD.
Check by	2015-09-15	UNITS	mm		
SCALE		SHEET SIZE	A4		



SECTION A-A



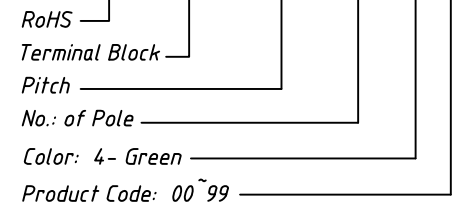
Material
Housing: PA66, UL 94V-0
Pin header: Brass, Tin plated

Electrical
Rated voltage: 300V
Rated current: 8A
Contact Resistance: 20 mΩ
Insulation resistance: 500MΩ/DC500V
Withstand voltage: AC2000V / 1 min

Mechanical
Temp. Range: -40 °C ~ +105 °C

Order Information

L-KLS2-EDAR-3.81-XXP-4 00



GENERAL TOLERANCE		ANGLE TOLERANCE		Description:	
X. ±0.60		X. ±5°		Pluggable Terminal Block 3.81 MM	
.X ±0.38		.X ±3°			
.XX ±0.25		.XX ±2°		KLS P/N:	KLS2-EDAR-3.81-XXP-4-00
Draw by	2015-09-01	PROJECTION			NingBo KLS ELECTRONIC CO.,L TD.
Check by	2015-09-15	UNITS	mm		
SCALE		SHEET SIZE	A4		