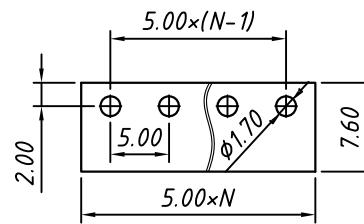
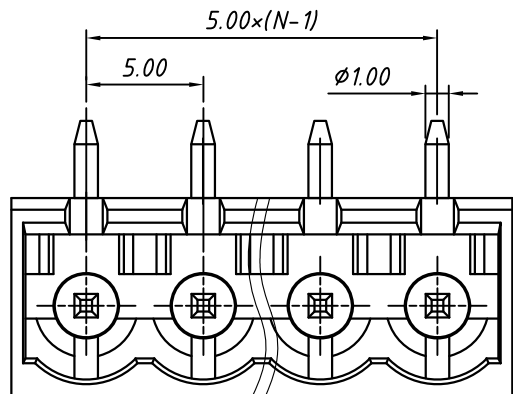


SECTION A-A



PCB LAYOUT

**Material**  
**Housing:** PA66, UL94V-0  
**Pin header:** Brass, Tin plated

**Electrical**  
**Rated voltage:** 300V  
**Rated current:** 15A  
**Contact Resistance:** 20 mΩ  
**Insulation resistance:** 500MΩ/DC500V  
**Withstand voltage:** AC2000V / 1 min

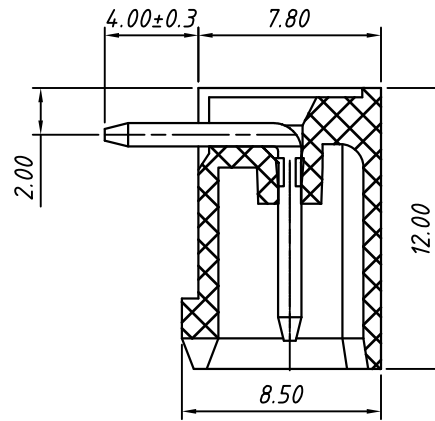
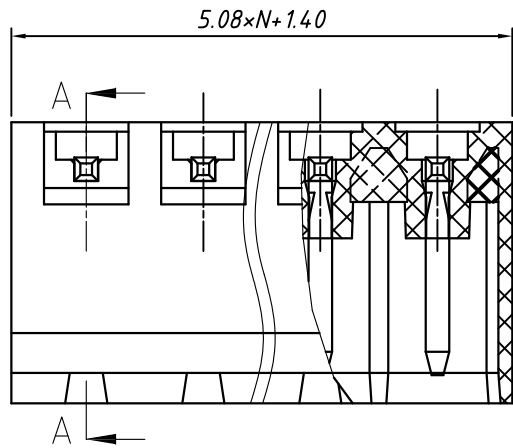
**Mechanical**  
**Temp. Range:** -40 °C ~ +105 °C

**Order Information**

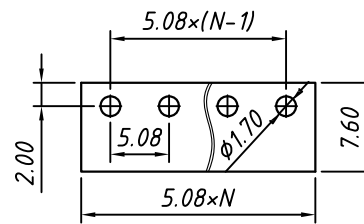
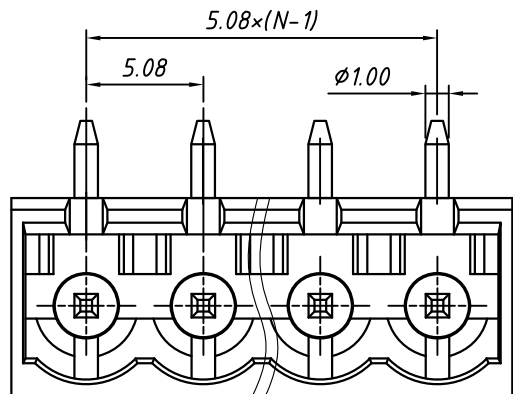
L-KLS2-EDRRC-5.00-XXP-4 00

RoHS  
 Terminal Block  
 Pitch  
 No.: of Pole  
 Color: 4- Green  
 Product Code: 00 ~ 99

GENERAL TOLERANCE		ANGLE TOLERANCE		Description:	
X. ±0.60		X. ±5°		Pluggable Terminal Block 5.00MM	
.X ±0.38		.X ±3°		KLS P/N:	KLS2-EDRRC-5.00-XXP-4-00
.XX ±0.25		.XX ±2°			
Draw by	2015-09-01	PROJECTION		NingBo KLS ELECTRONIC CO.,L TD.	
Check by	2015-09-15	UNITS	mm		
SCALE		SHEET SIZE	A4		



SECTION A-A



PCB LAYOUT

Material  
Housing: PA66, UL94V-0  
Pin header: Brass, Tin plated

Electrical  
Rated voltage: 300V  
Rated current: 15A  
Contact Resistance: 20 mΩ  
Insulation resistance: 500MΩ/DC500V  
Withstand voltage: AC2000V / 1 min

Mechanical  
Temp. Range:  $-40^{\circ}\text{C} \sim +105^{\circ}\text{C}$

Order Information

L-KLS2-EDRRC-5.08-XXP-4 00

RoHS  
Terminal Block  
Pitch  
No.: of Pole  
Color: 4- Green  
Product Code: 00 ~ 99

GENERAL TOLERANCE		ANGLE TOLERANCE		Description:	
X. $\pm 0.60$		X. $\pm 5^{\circ}$		Pluggable Terminal Block 5.08MM	
.X $\pm 0.38$		.X $\pm 3^{\circ}$			
.XX $\pm 0.25$		.XX $\pm 2^{\circ}$		KLS P/N:	KLS2-EDRRC-5.08-XXP-4-00
Draw by	2015-09-01	PROJECTION			NingBo KLS ELECTRONIC CO.,L TD.
Check by	2015-09-15	UNITS	mm		
SCALE		SHEET SIZE	A4		