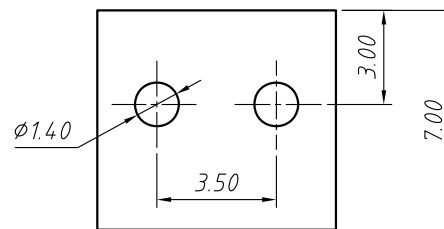
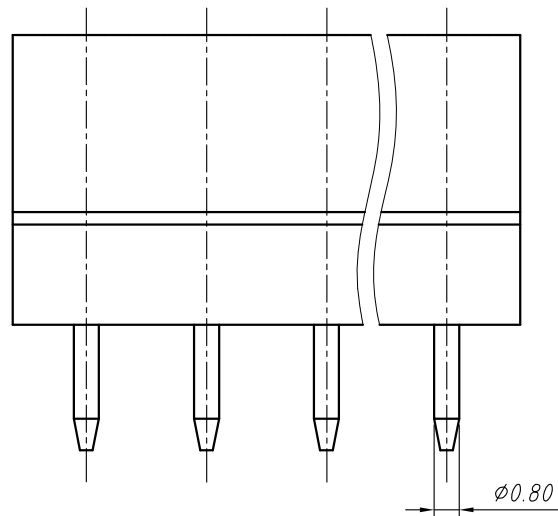


SECTION A-A




Material
Housing: PA66, UL 94V-0
Pin header: Brass, Tin plated

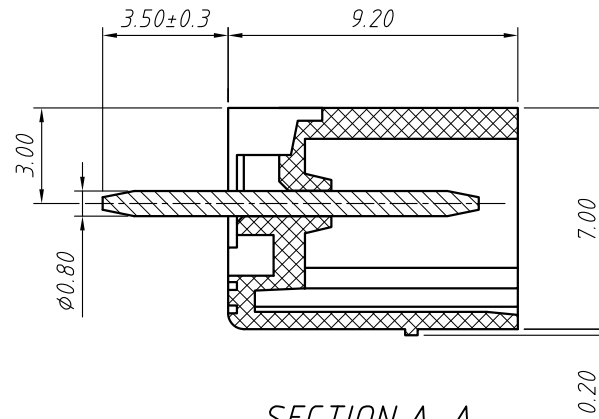
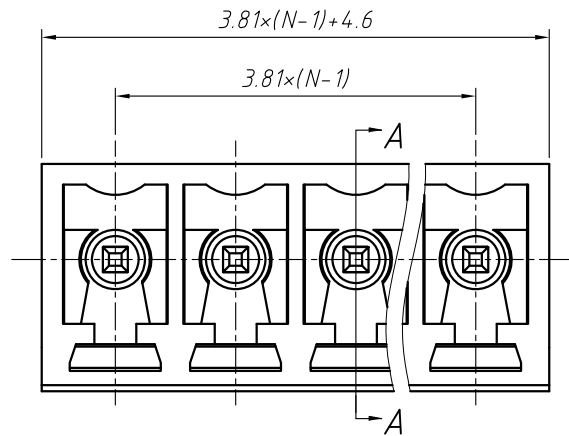
Electrical
Rated voltage: 300V
Rated current: 8A
Contact Resistance: 20 mΩ
Insulation resistance: 500MΩ/DC500V
Withstand voltage: AC2000V / 1 min

Mechanical
Temp. Range: -40 °C ~ +105 °C

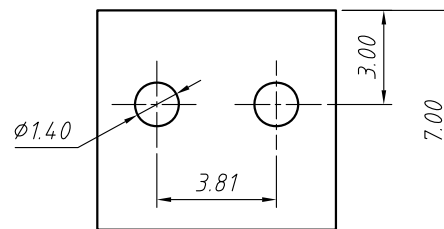
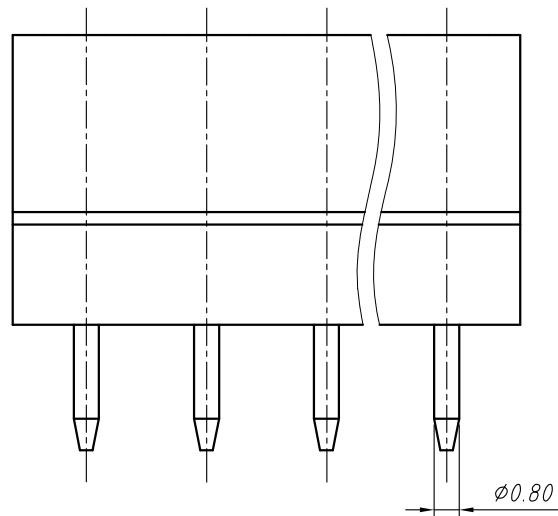
Order Information

L-KLS2-EDV-3.50-XXP-4 00
RoHS
Terminal Block
Pitch
No.: of Pole
Color: 4- Green
Product Code: 00~99

GENERAL TOLERANCE		ANGLE TOLERANCE		Description:		
X. ±0.60	.X ±0.38	.XX ±0.25	X. ±5°	.X ±3°	.XX ±2°	
Draw by	2015-09-01	PROJECTION	 NingBo KLS ELECTRONIC CO.,L TD.			
Check by	2015-09-15	UNITS				mm
SCALE		SHEET SIZE				A4
				KLS P/N:	KLS2-EDV-3.50-XXP-4-00	
Pluggable Terminal Block 3.5 MM						



SECTION A-A



PCB LAYOUT

Material
Housing: PA66, UL 94V-0
Pin header: Brass, Tin plated



Electrical
Rated voltage: 300V
Rated current: 8A
Contact Resistance: 20 mΩ
Insulation resistance: 500MΩ/DC500V
Withstand voltage: AC2000V / 1 min

Mechanical
Temp. Range: -40 °C ~ +105 °C

Order Information

L-KLS2-EDV-3.81-XXP-4 00

RoHS
Terminal Block
Pitch
No.: of Pole
Color: 4- Green
Product Code: 00~99

GENERAL TOLERANCE		ANGLE TOLERANCE		Description:	
X. ±0.60		X. ±5°		Pluggable Terminal Block 3.81 MM	
.X ±0.38		.X ±3°		KLS P/N:	KLS2-EDV-3.81-XXP-4-00
.XX ±0.25		.XX ±2°		 NingBo KLS ELECTRONIC CO.,L TD.	
Draw by	2015-09-01	PROJECTION			
Check by	2015-09-15	UNITS	mm		
SCALE		SHEET SIZE	A4		