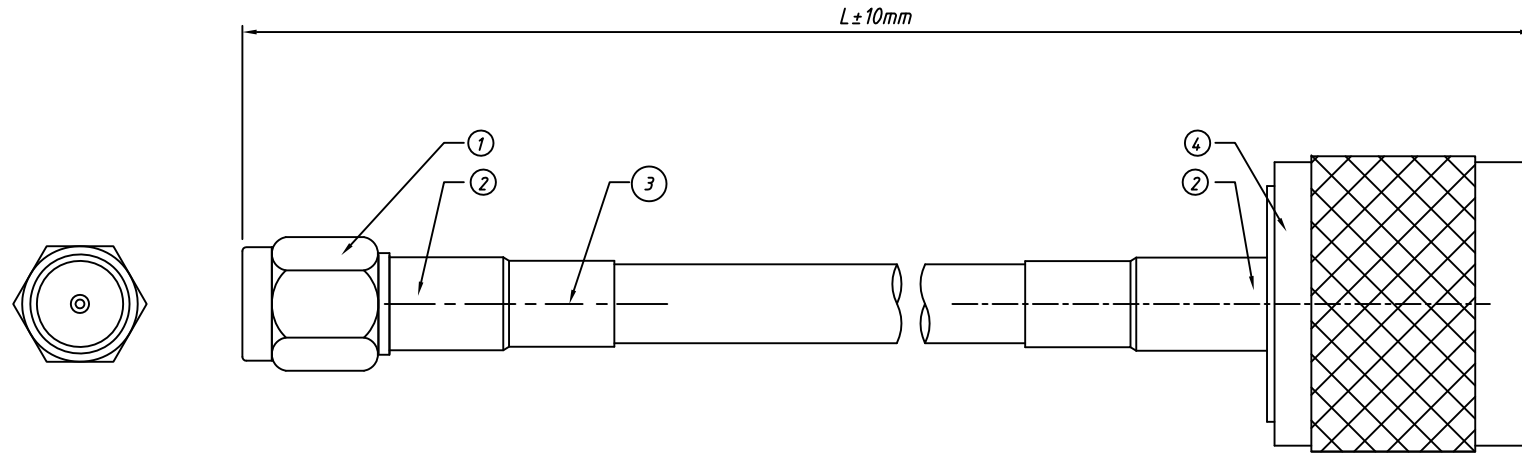


RoHS compliant

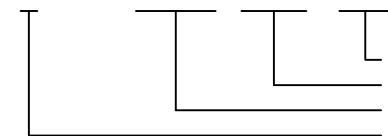


Note:

- 1: V.S.W.R: 1.5(0~3G), Max.
- 2: Wire surface shall have no dirt, broken.
- 3: Connector surface with coating, oxidation phenomenon.
- 4: Connector pins and insulator are in the same plane


Order Information

L- KLS1- RFCA09 - RG58 - L300



Lengs: L300=300mm
 Cable: RG58 Cable
 Series: SMA Male-N Male
 RoHS

4	Connector	N-J, Male, for RG58	PCS	1
3	RF Cable	RG58 Cable, Black, OD5.0mm	mm	L
2	Heat-Shrink Tube	Ø5.0mm Heat-Shrink Tube, Block, L20mm	PCS	2
1	Connetor	SMA Plug, Male Straight, for RG58	PCS	1
No.	Name	Description	UNITS	Q'ty

		Description:		
PROJECTION		SMA Male to N Male Cable		
UNITS	mm	KLS P/N:	L-KLS1-RFCA09-xxxx	
SHEET SIZE	A4	 NingBo KLS ELECTRONIC CO.,L TD.		
Draw:	Daniel			2018-06-22
Check:	Daniel			2018-06-22