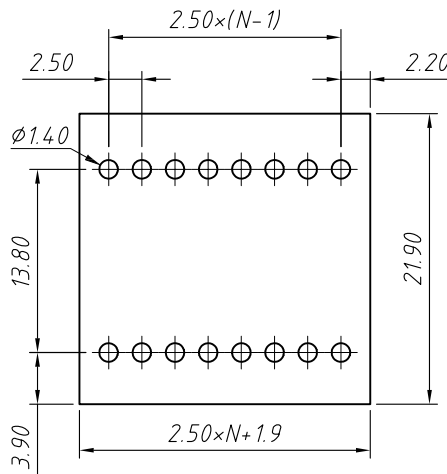
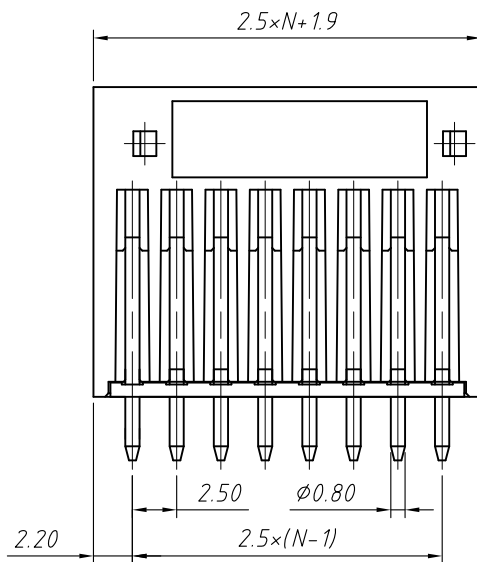


**Material**  
**Housing:** PA66, UL 94V-0  
**Pin header:** Brass, Tin plated

**Electrical**  
**Rated voltage:** 150V  
**Rated current:** 5A  
**Contact Resistance:** 20 mΩ  
**Insulation resistance:** 500MΩ/DC500V  
**Withstand voltage:** AC1250V / 1 min

**Mechanical**  
**Temp. Range:** -40 °C ~ +105 °C



PCB LAYOUT

**Order Information**

L-KLS2-EDAV-2.50-XXP-4 00

RoHS  
Terminal Block  
Pitch  
No.: of Pole  
Color: 4- Green  
Product Code: 00~99

GENERAL TOLERANCE		ANGLE TOLERANCE		Description:	
X. ±0.60		X. ±5°		Pluggable Terminal Block 2.5 MM	
.X ±0.38		.X ±3°		KLS P/N:	KLS2-EDAV-2.50-XXP-4-00
.XX ±0.25		.XX ±2°			
Draw by	2015-09-01	PROJECTION		NingBo KLS ELECTRONIC CO.,L TD.	
Check by	2015-09-15	UNITS	mm		
SCALE		SHEET SIZE	A4		