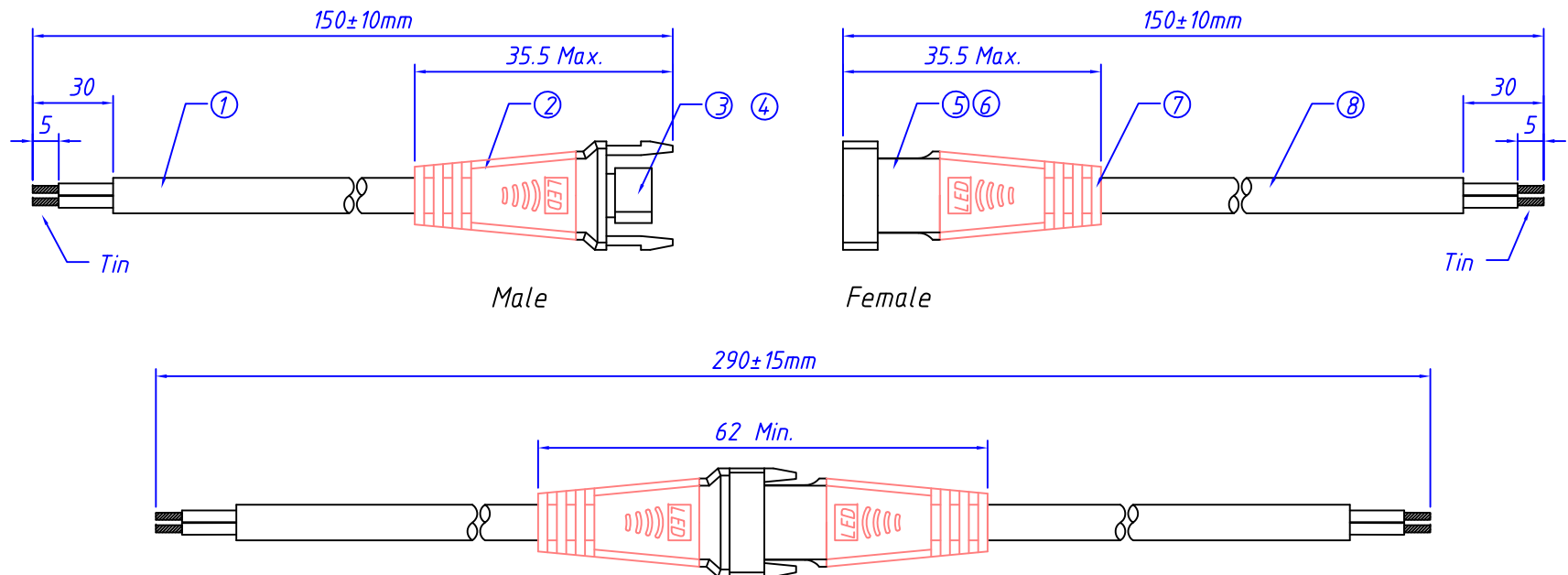


1 RoHS Compliant



Male

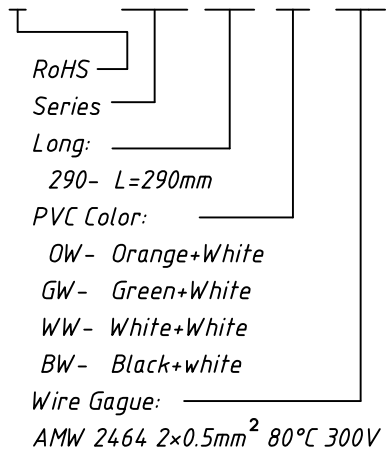
Female

290±15mm

62 Min.

Order Information:

L-KLS17-LDC04-290 OW 205



How to order KLS waterproof cable:

- 1-Confirm the cable material
- 2-Connector Contact number & wire size (2x0.5mm² ,.....)
- 3-Select form factor
- 4-Determination of length, single-sided length with connector
- 5-Determine the tail handling method (Stripping, Tin.....)
- 6-Special custom requirements

Note

- 1: Open/Short Text 100% Text. insulation: Min, 2M
- 2: All must be meet on RoHS Compliant

8	Cable	UL2464 2x0.5mm ² PVC Cable,White,4.2x3.2mm	mm	150
7	PVC	PVC 4SP MOLDING,Orange or Green or Black or White	g	xx
6	Contact	DC Terminal,Male	PCS	2
5	Jack	DC Jack,White	PCS	1
4	Contact	DC Terminal,Female	PCS	2
3	PLUG	White DC PLUG	PCS	1
2	PVC	PVC 4SP MOLDING,Orange or Green or Black or White	g	xx
1	Cable	UL2464 2x0.5mm ² PVC Cable,White ,4.2x3.2mm	mm	150
ITEM	PART NAME	Description	UNIT	Q'TY

		Description:	
PROJECTION		DC WATERPROOF POWER CABLE ,IP60	
UNITS	mm	KLS P/N:	L-KLS17-LDC04-XXXXXX
SHEET SIZE	A4	NingBo KLS ELECTRONIC CO.,L TD.	
Draw:Daniel	2018-09-29		
Check:Daniel	2018-09-29		