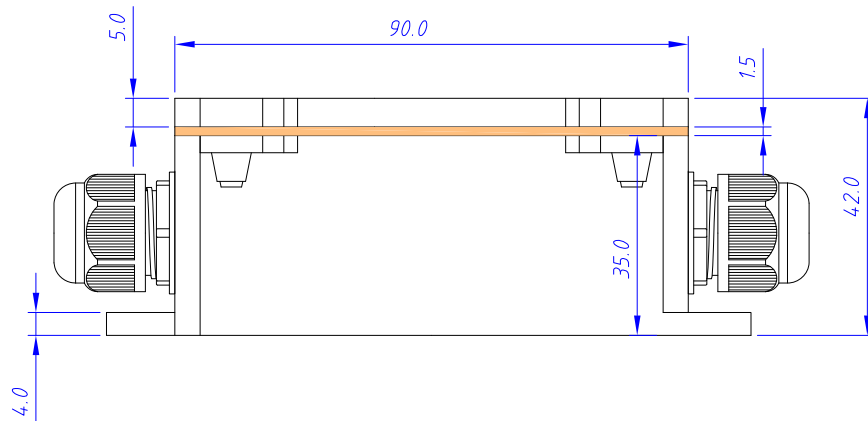
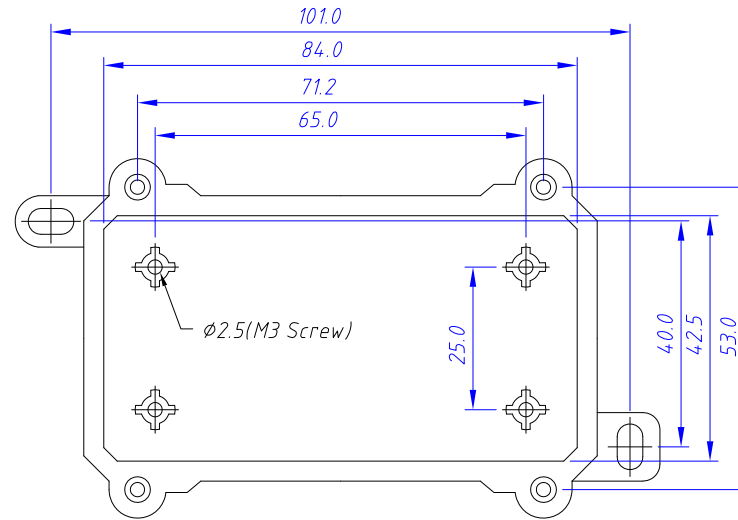
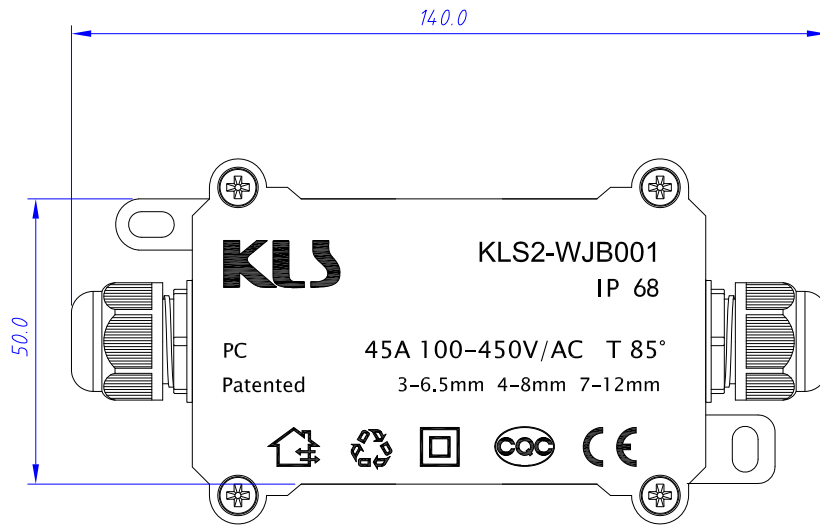


1 RoHS Compliance

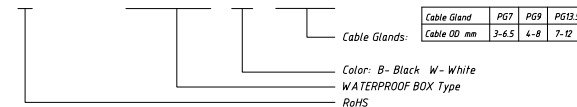


Note

- 1- Internal size: L84×W42.5×H33.5mm
- 2- Material: PC PP
- 3- Waterproof Level: IP68
- 4- Certification: CE CQC SGS

ORDER INFORMATION

L-KLS2-WJB001 - B PG09



GENERAL TOLERANCE	ANGLE TOLERANCE	PROJECTION	Description:
X. ± 0.60	$\pm 2^\circ$	UNITS	mm
.X ± 0.38		SHEET SIZE	A4
.XX ± 0.25		KLS P/N: KLS2-WJB001-XXX	

Draw: Daniel 2018-08-27
Check: Daniel 2018-08-27
SCALE SHEET



NingBo KLS ELECTRONIC CO.,L TD.