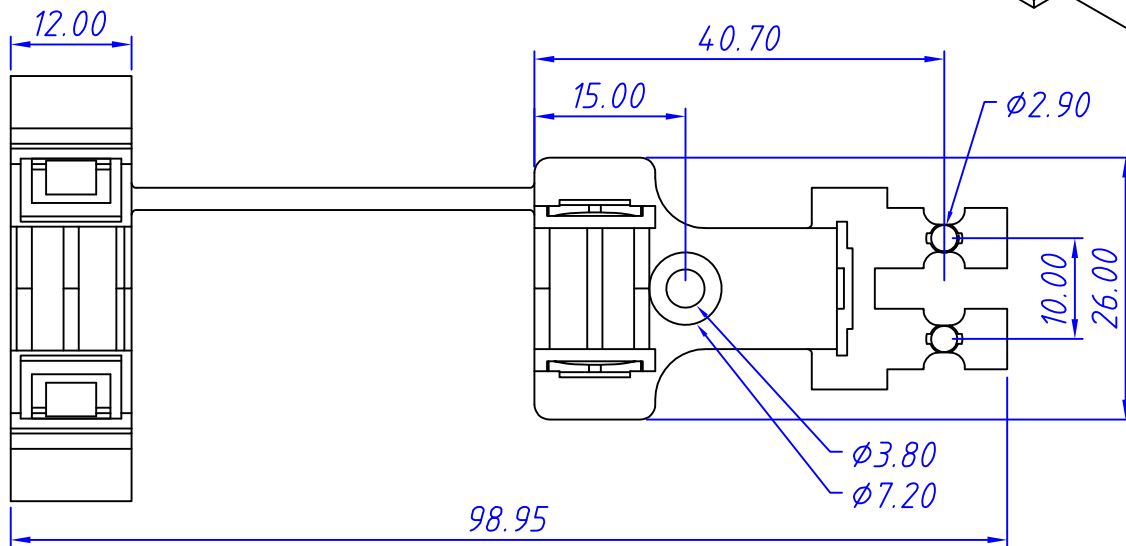
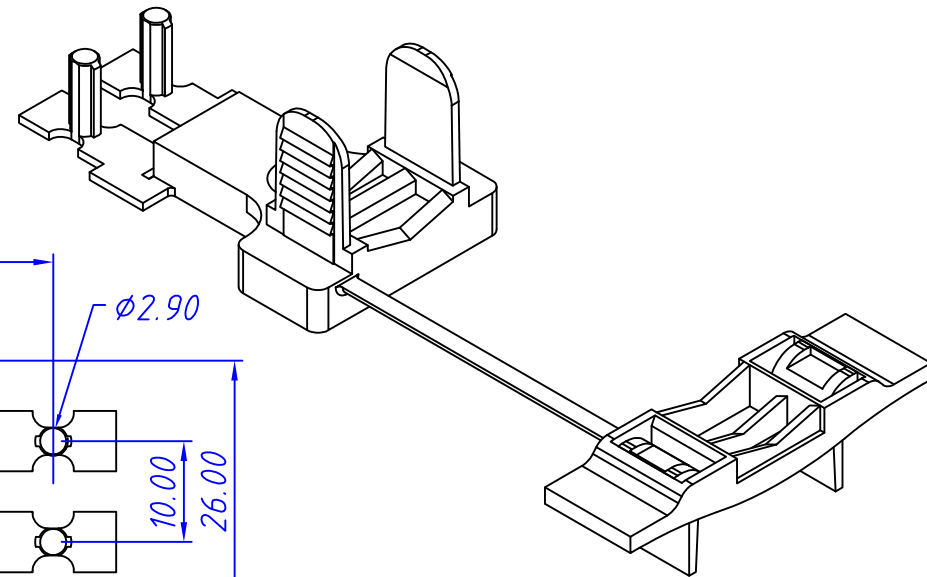
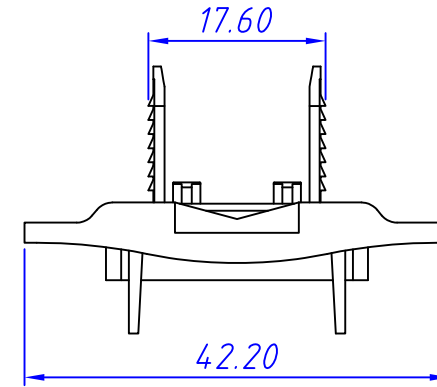
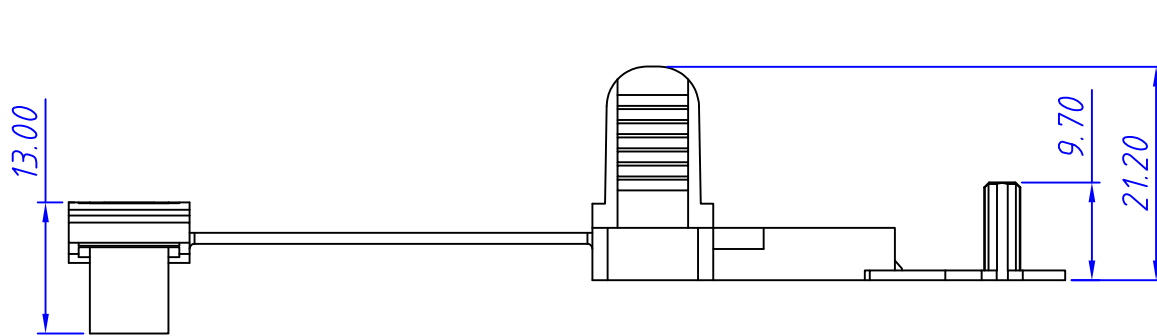


1
RoHS Compliance

7
Materials
Insulation Materials: PA 66,WHITE,UL94V-2
Adapter terminals: KLS2-238L-03P
Operating Temperature: -40°C ~ +105°C



GENERAL TOLERANCE		ANGLE TOLERANCE	PROJECTION	Description:
X. ±0.60		±2°	UNITS	mm
.X ±0.38			SHEET SIZE	A4
.XX ±0.25			KLS P/N:	

Draw: Daniel 2018-08-27
Check: Daniel 2018-08-27
SCALE SHEET



NingBo KLS ELECTRONIC CO.,L TD.