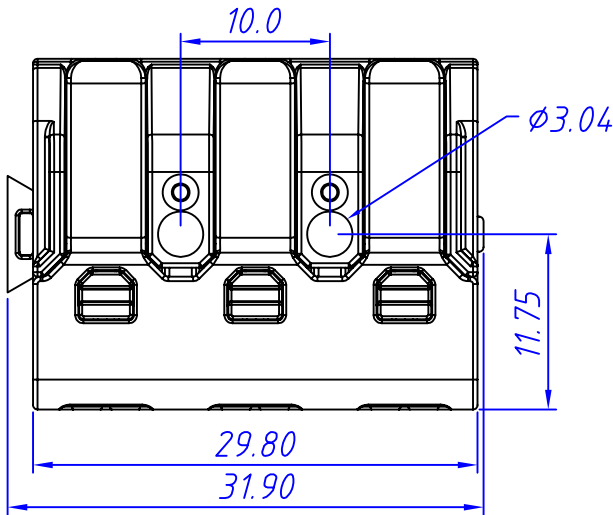
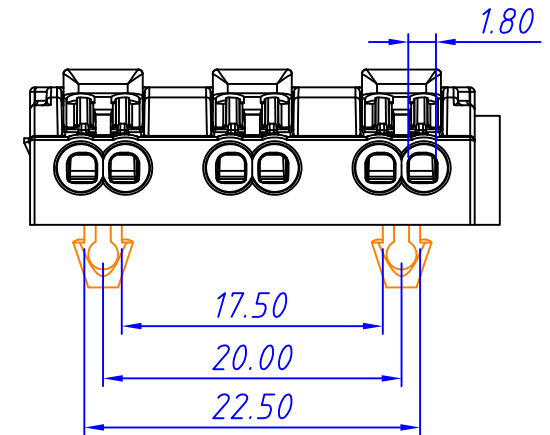
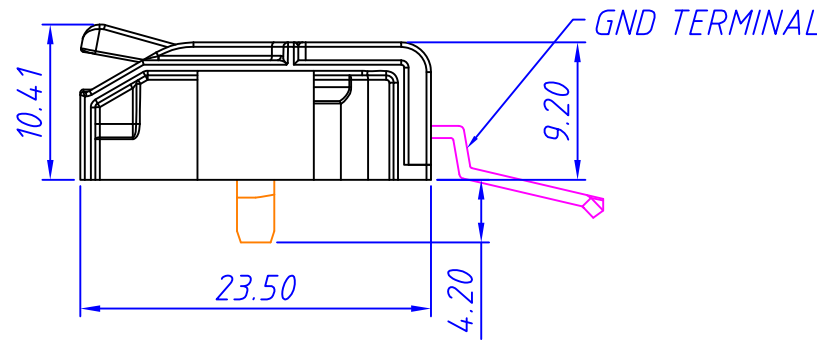
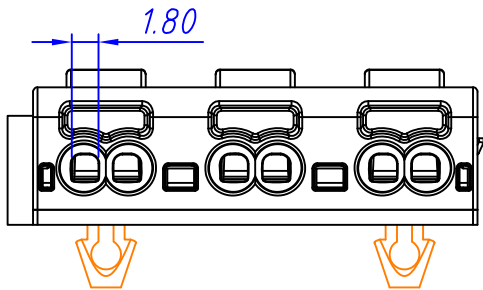
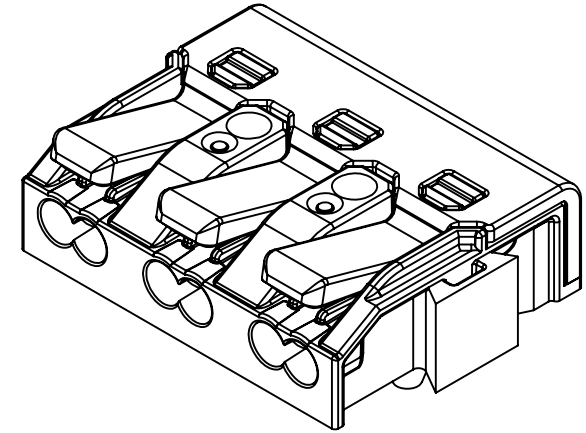
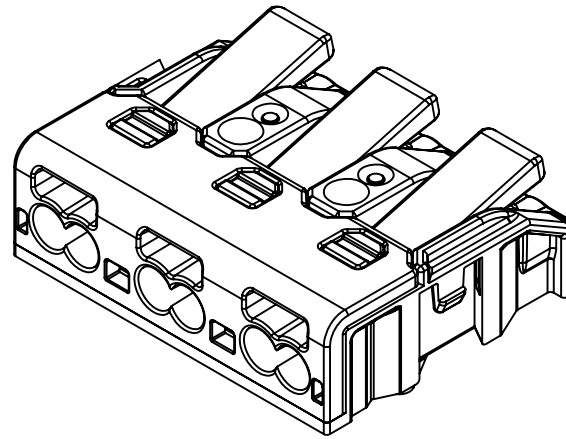
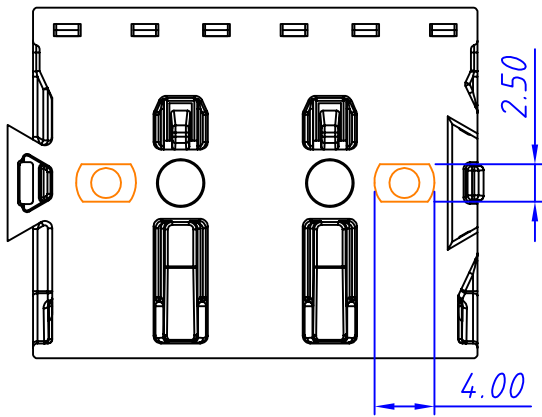


RoHS Compliance



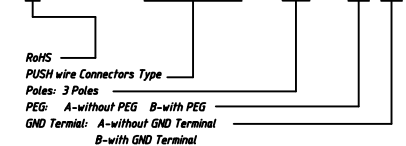
Electrical :
 Rated Voltage: 450V(IEC/EN)/300V(UL)
 Rated Current: 9A
 Cross Section: 0.5-1.5mm² /16-20AWG


Materials
 Insulation Materials: PA 66,WHITE,UL 94V-2
 Contact: Copper,Nickel Plated
 Wire guard : Stainless steel

Number of poles: 2 poles
 Strip length : 8-10mm
 Operating Temperature: -40°C~+105°C

ORDER INFORMATION

L-KLS2- 238N - 03P X X



GENERAL TOLERANCE	ANGLE TOLERANCE	PROJECTION	Description:
X. ±0.60	±2°	UNITS	mm
.X ±0.38		SHEET SIZE	A4
.XX ±0.25		KLS P/N: L-KLS2-238N-03Pxx	
Draw: Daniel	2018-08-27	 NingBo KLS ELECTRONIC CO.,L TD.	PUSH wire Connector
Check: Daniel	2018-08-27		
SCALE	SHEET		