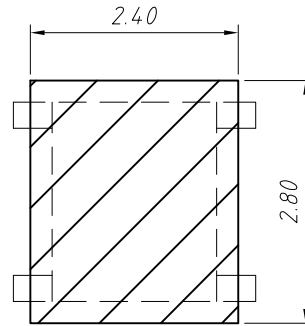
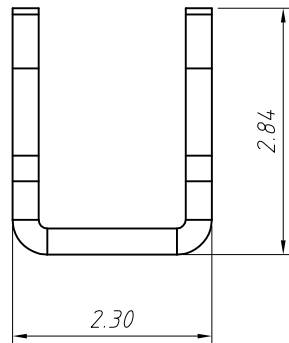
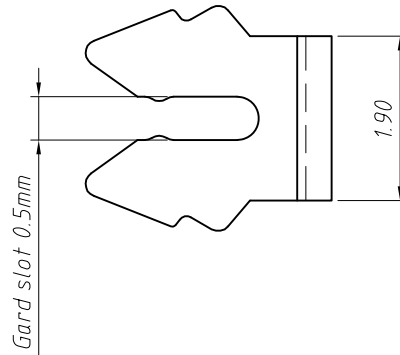
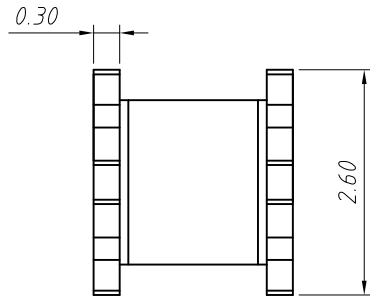


1
RoHS Compliant

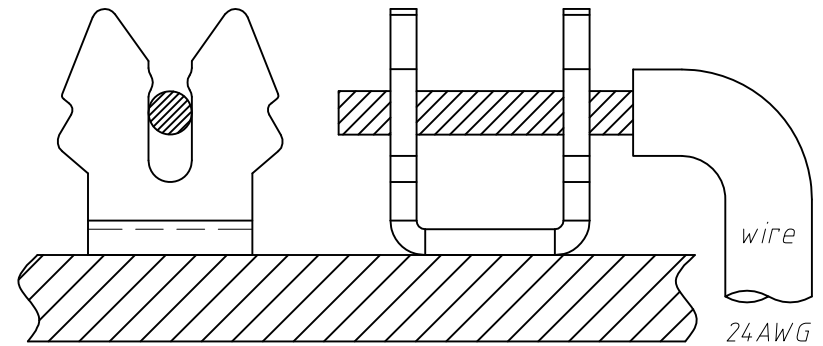
MATERIAL
Contacts: Brass, Tin-plated

Main Specifications
Poles: 01P
Contact Resistance: $\leq 20m\Omega$
Insulation Resistance: $1000M\Omega$ Min.
Rated Voltage: 250V AC DC
Rated Current: 1.0A AC DC
Withstanding Voltage: 1000VAC/minute
Temperature Range: $-40^{\circ}C \sim +105^{\circ}C$


Order Information
L-KLS2- L60
Series No.
RoHS



Board Layout
General Tolerance: ± 0.05



Assembly Layout

GENERAL TOLERANCE		ANGLE TOLERANCE		PROJECTION		Description:	
.X	± 0.15	.X	$\pm 5^{\circ}$	UNITS	mm	Naked IDC SMT connectors L-KLS2-L60	
.X	± 0.03	.X	$\pm 3^{\circ}$	SHEET SIZE	A4		
.XX	± 0.05	.XX	$\pm 2^{\circ}$	KLS P/N:			
Draw by:	Jenny	Date:	2018-03-10	 NingBo KLS ELECTRONIC CO.,LTD.			
Check by:		Date:	2018-03-10				
SCALE		SHEET	1	OF	1		