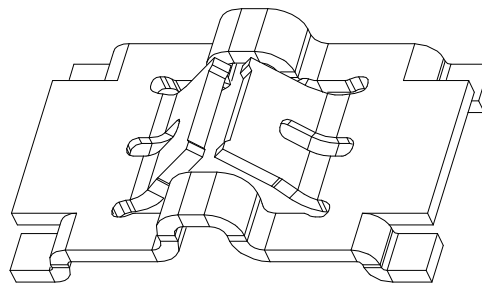
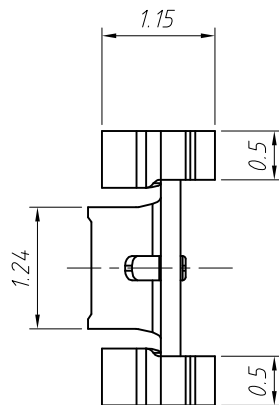
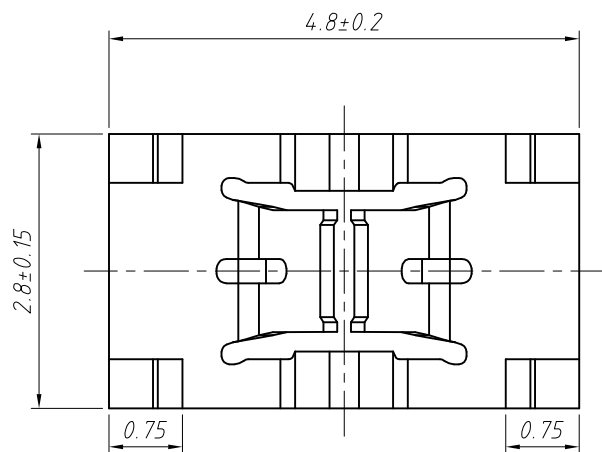


RoHS Compliant



MATERIAL

Contacts: Phosphor Bronze, Matte Sn

Main Specifications

Poles: 01

Contact Resistance: $\leq 30m\Omega$

Rated Voltage: 250V AC DC

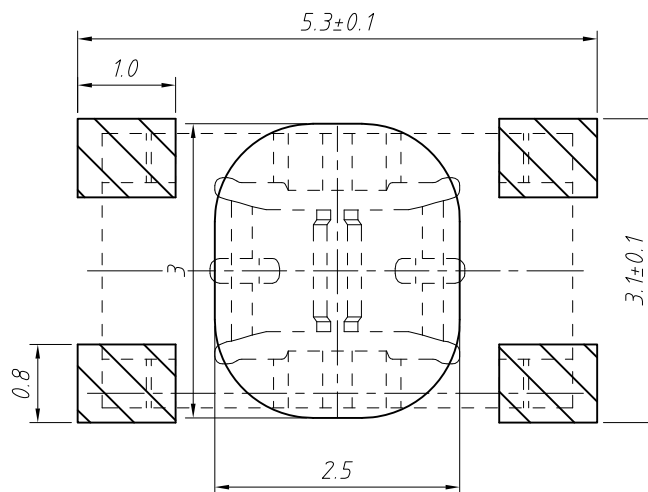
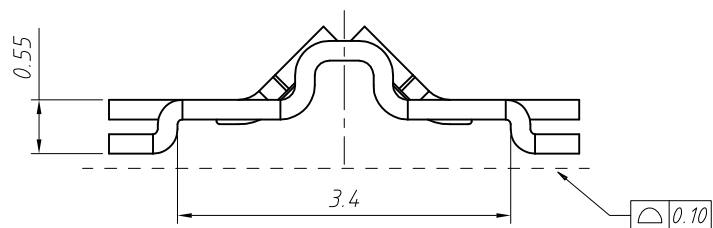
Rated Current: 1.0A AC DC

Temperature Range: $-45^{\circ}C \sim +125^{\circ}C$

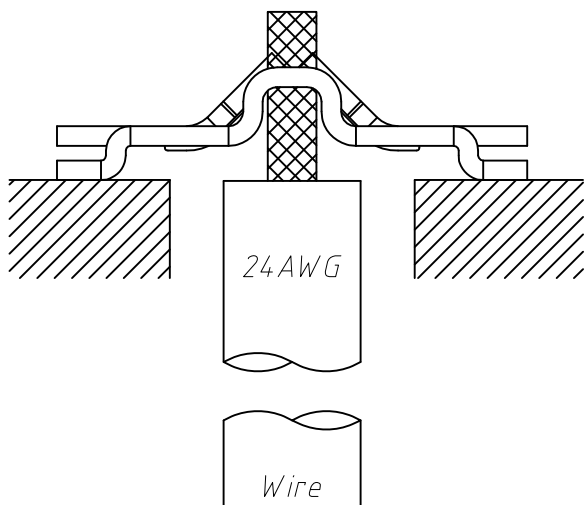
Order Information


L-KLS2- L93

Series No.
RoHS



Board Layout



GENERAL TOLERANCE		ANGLE TOLERANCE		PROJECTION		Description: Naked Terminal SMT, vertical, for led lighting, 24AWG L-KLS2-L93
X.	± 0.15	X.	$\pm 5^{\circ}$	UNITS	mm	
.X	± 0.03	.X	$\pm 3^{\circ}$	SHEET SIZE	A4	
.XX	± 0.05	.XX	$\pm 2^{\circ}$	KLS P/N:		
Draw by:	Jenny	Date:	2018-03-10	 NingBo KLS ELECTRONIC CO.,LTD.		
Check by:		Date:	2018-03-10			
SCALE		SHEET	1 OF 1			