

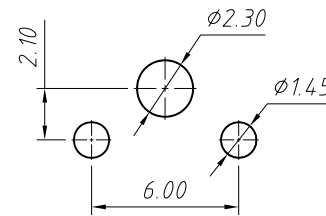
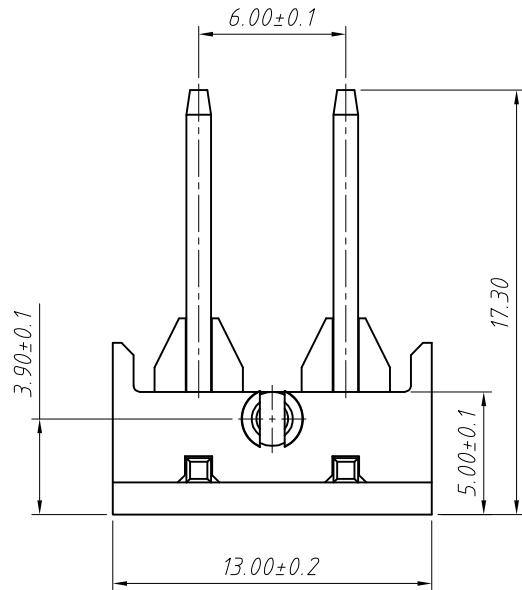
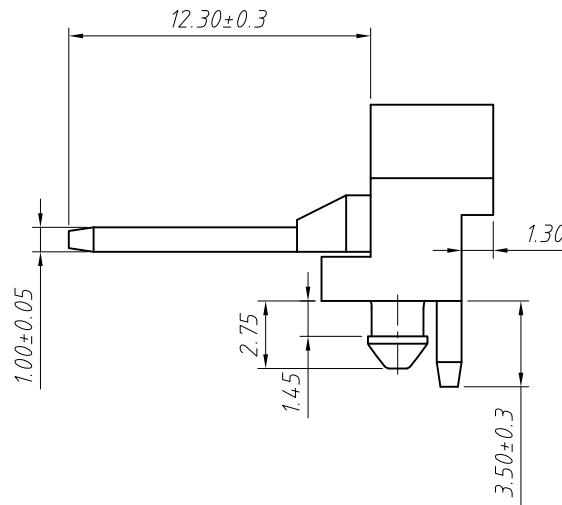
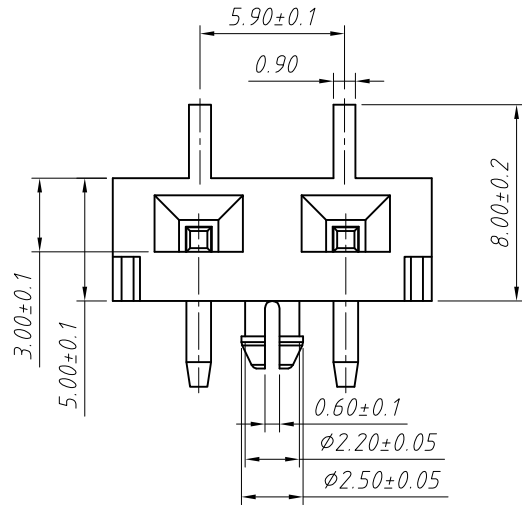
RoHS Compliant

**MATERIAL**  
 Insulator: PA46, UL 94V-0, Beige  
 Contacts: Brass, Tin-plated

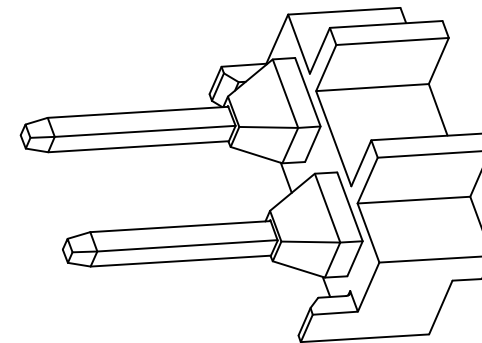
**Main Specifications**  
 Poles: 02P  
 Contact Resistance:  $\leq 20m\Omega$   
 Insulation Resistance:  $\geq 1000M\Omega$   
 Rated Voltage: 250V AC DC  
 Rated Current: 2.0A AC DC  
 Withstanding Voltage: 1500V AC/minute  
 Temperature Range:  $-40^{\circ}C \sim +110^{\circ}C$

**Order Information**

L-KLS2- L09  
 └──────────┬──────────  
 Series No.  
 RoHS



Board Layout  
 General tolerance:  $\pm 0.05$



GENERAL TOLERANCE		ANGLE TOLERANCE		PROJECTION	Description:	
.X	$\pm 0.15$	.X	$\pm 5^{\circ}$	UNITS	Board to Board Link, for LED Bulb	
.X	$\pm 0.03$	.X	$\pm 3^{\circ}$	SHEET SIZE		A4
.XX	$\pm 0.05$	.XX	$\pm 2^{\circ}$	KLS P/N:		L-KLS2-L09
Draw by:	Jenny	Date:	2018-03-10	 NingBo KLS ELECTRONIC CO.,LTD.		
Check by:		Date:	2018-03-10			
SCALE		SHEET	1 OF 1			