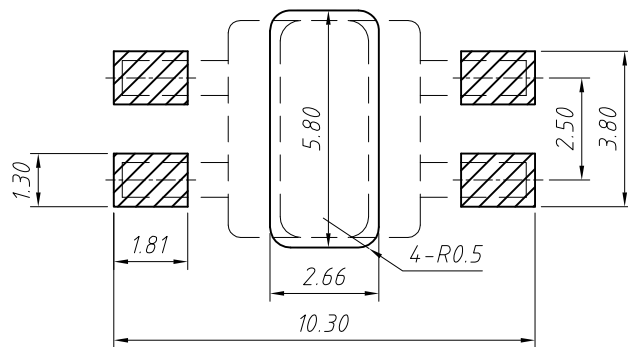
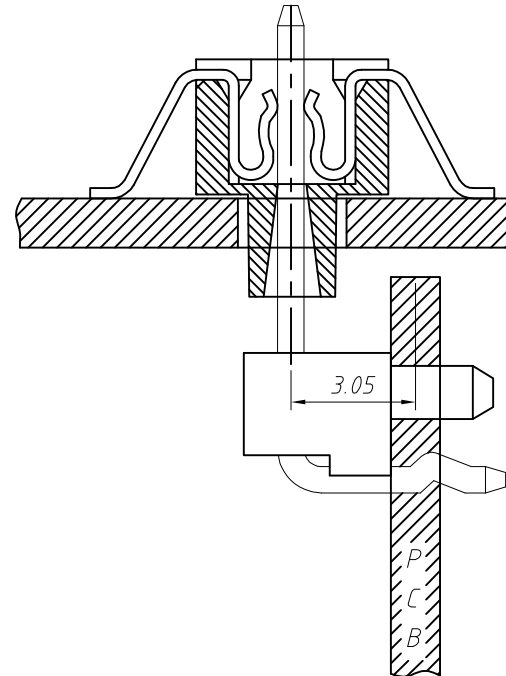
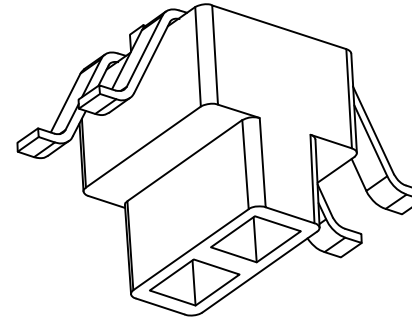
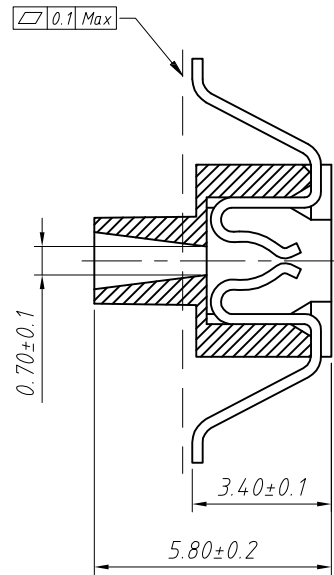
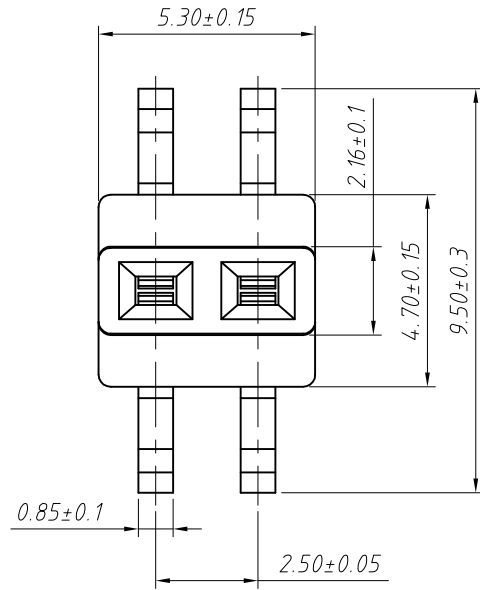


RoHS Compliant



SUGGESTED PCB LAYOUT
(COMPONENT SIDE)

MATERIAL
Insulator:LCP,UL 94 V-0,Beige
Contacts:Phosphor Bronze,Tin-plated

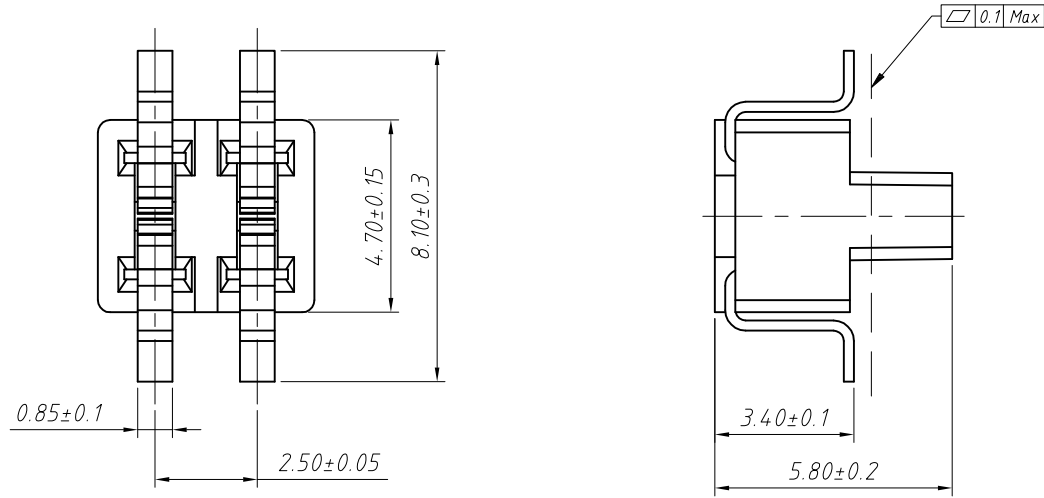
Main Specifications
Contact Resistance: $\leq 20m\Omega$
Insulation Resistance: $\geq 1000M\Omega$
Rated Voltage:250V AC DC
Rated Current:1.0A AC DC
Withstanding Voltage:1000V AC/minute
Temperature Range: $-40^{\circ}C \sim +120^{\circ}C$

Order Information

L-KLS2- L28
Series No.
RoHS

GENERAL TOLERANCE		ANGLE TOLERANCE		PROJECTION	Description:	
X.	± 0.15	X.	$\pm 5^{\circ}$	UNITS	Board to Board Link, for LED Bulb,Pitch 2.5mm L-KLS2-L28	
.X	± 0.03	.X	$\pm 3^{\circ}$	SHEET SIZE		A4
.XX	± 0.05	.XX	$\pm 2^{\circ}$	KLS P/N:		
Draw by:	Jenny	Date:	2018-03-10	 NingBo KLS ELECTRONIC CO.,L TD.		
Check by:		Date:	2018-03-10			
SCALE		SHEET	1 OF 1			

1 RoHS Compliant

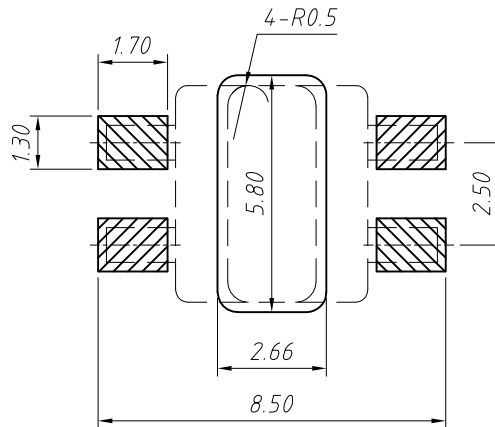
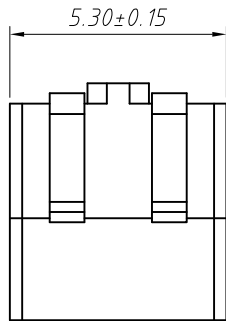


MATERIAL
 Insulator:LCP,UL 94 V-0,Beige
 Contacts:Phosphor Bronze,Tin-plated

Main Specifications
 Contact Resistance: $\leq 20m\Omega$
 Insulation Resistance: $\geq 1000M\Omega$
 Rated Voltage:250V AC DC
 Rated Current:1.0A AC DC
 Withstanding Voltage:1000V AC/minute
 Temperature Range: $-40^{\circ}C \sim +120^{\circ}C$

Order Information

L-KLS2- L28B
 Series No.
 RoHS



SUGGESTED PCB LAYOUT
 (COMPONENT SIDE)

GENERAL TOLERANCE		ANGLE TOLERANCE		PROJECTION	Description:	
.X	± 0.15	.X	$\pm 5^{\circ}$	UNITS	Board to Board Link, for LED Bulb,Pitch 2.5mm	
.X	± 0.03	.X	$\pm 3^{\circ}$	SHEET SIZE		A4
.XX	± 0.05	.XX	$\pm 2^{\circ}$	KLS P/N:		L-KLS2-L28B

Draw by:	Jenny	Date:	2018-03-10
Check by:		Date:	2018-03-10
SCALE		SHEET	1 OF 1

KLS
 NingBo KLS ELECTRONIC CO.,LTD.