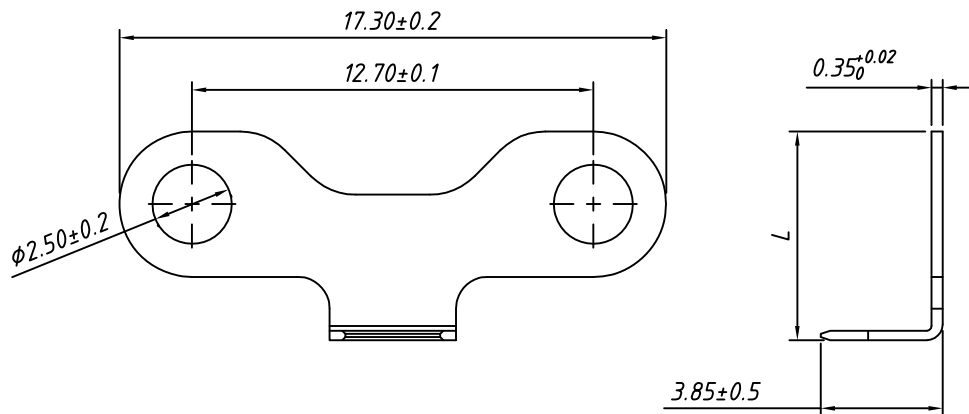
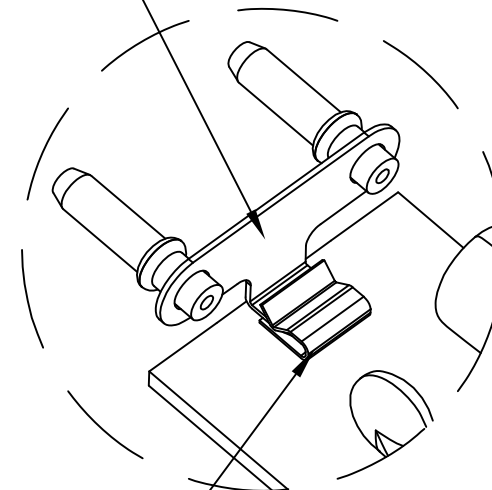


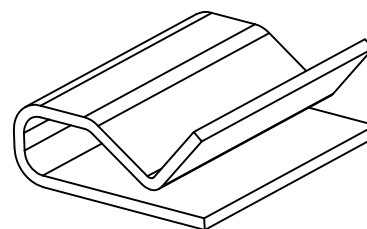
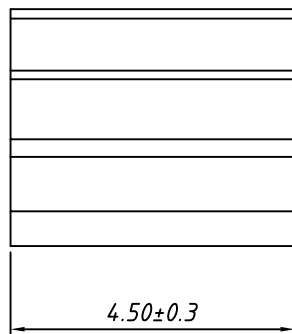
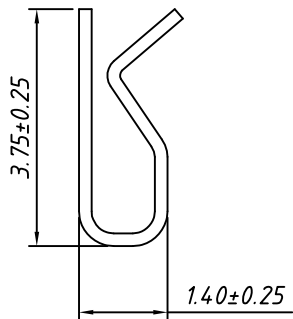
1 RoHS Compliant



Type A



Type C



MATERIAL
 Contacts: Phosphor Bronze,
 Tin-plated

Main Specifications
 Contact Resistance: $\leq 20m\Omega$
 Insulation Resistance: $\geq 1000M\Omega$
 Rated Voltage: 250V AC DC
 Rated Current: 2.0A AC DC
 Withstanding Voltage:
 1000V AC/minute
 Temperature Range:
 $-25^{\circ}C \sim +105^{\circ}C$

Order Information

L-KLS2- L41 A

RoHS

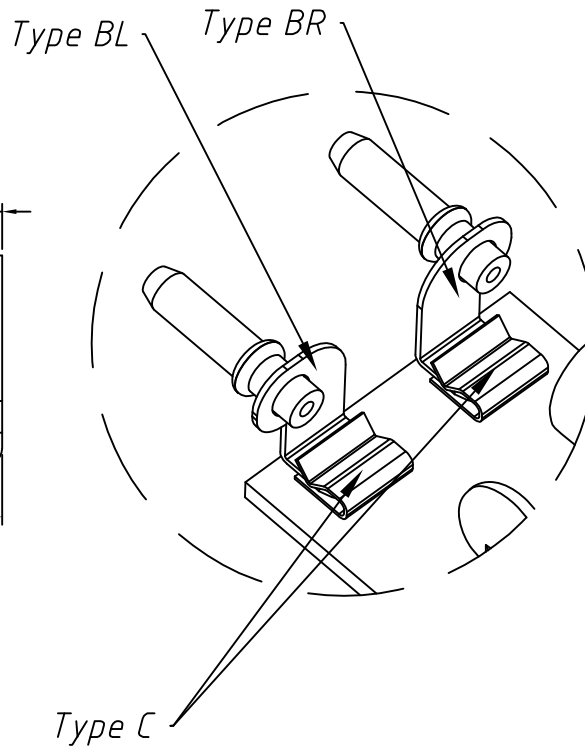
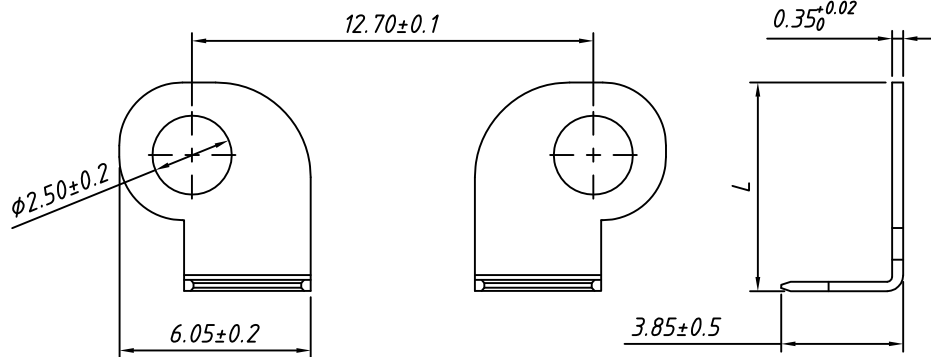
Series No.

Type:

A-Overall support
 C- CLIP for PCB

GENERAL TOLERANCE		ANGLE TOLERANCE		PROJECTION		Description:
.X	±0.15	.X	±5°	UNITS	mm	EDGE Connector for G13 LED Lighting L-KLS2-L41X
.X	±0.03	.X	±3°	SHEET SIZE	A4	
.XX	±0.05	.XX	±2°		KLS P/N:	
Draw by:	Jenny	Date:	2018-03-10			NingBo KLS ELECTRONIC CO.,LTD.
Check by:		Date:	2018-03-10			
SCALE		SHEET	1 OF 1			

1 RoHS Compliant



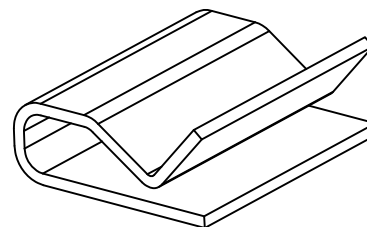
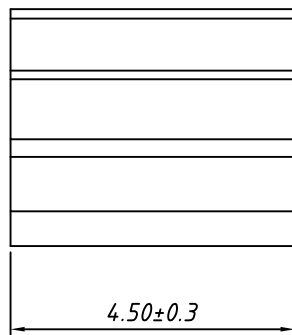
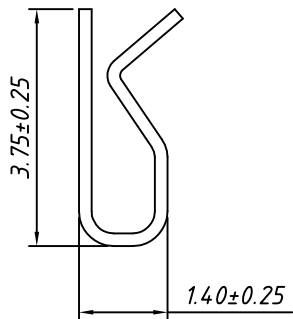
MATERIAL
Contacts: Phosphor Bronze, Tin-plated

Main Specifications
Contact Resistance: $\leq 20m\Omega$
Insulation Resistance: $\geq 1000M\Omega$
Rated Voltage: 250V AC DC
Rated Current: 2.0A AC DC
Withstanding Voltage: 1000V AC/minute
Temperature Range: $-25^{\circ}C \sim +105^{\circ}C$

Order Information

L-KLS2- L41 BX

RoHS
Series No.
Type:
BL-LEFT support
BR-Right support
C- CLIP for PCB



GENERAL TOLERANCE		ANGLE TOLERANCE		PROJECTION	Description:
.X	±0.15	.X	±5°	UNITS	EDGE Connector for G13 LED Lighting
.X	±0.03	.X	±3°	SHEET SIZE	
.XX	±0.05	.XX	±2°	KLS P/N:	

Draw by:	Jenny	Date:	2018-03-10
Check by:		Date:	2018-03-10
SCALE		SHEET	1 OF 1

KLS NingBo KLS ELECTRONIC CO.,LTD.

L-KLS2-L41XX