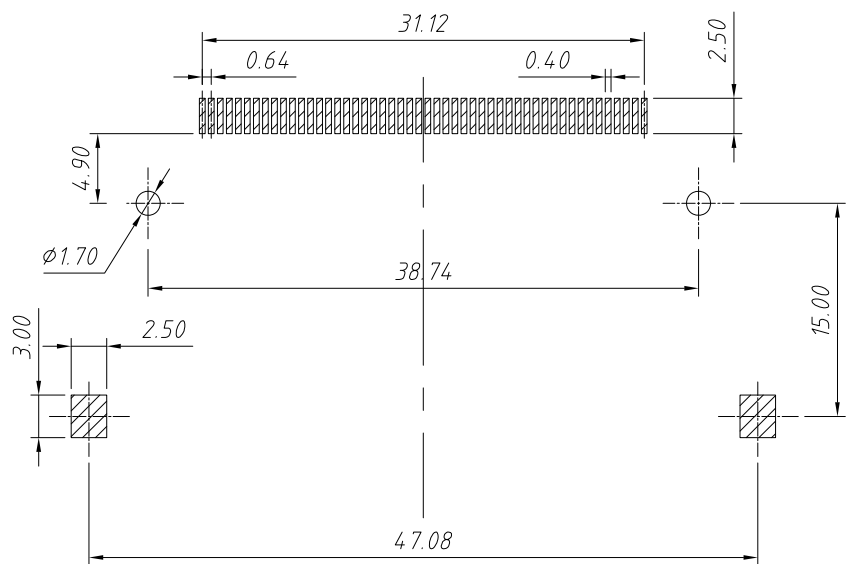


Recommended PCB Layout (Top Side)



Material:  
Housing: LCP, UL94V-0.  
Electrical:  
Current Rating: 0.5A AC, DC.  
Temperature Range: -20°C ~ +60°C.  
Contact Resistance: 40mΩ Max.  
Insulation Resistance: 1000MΩ Min.  
Withstanding Voltage: 500V AC/minute

GENERAL TOLERANCE		ANGLE TOLERANCE		PROJECTION		Description:	
.X	±0.15	.X	±5°	UNITS	mm	CF CARD CONN, L26.9mm, H3.85mm	
.X	±0.03	.X	±3°	SHEET SIZE	A4		
.XX	±0.05	.XX	±2°	KLS P/N:			
Draw by:	Jenny	Date:	2018-03-10	 NingBo KLS ELECTRONIC CO., L TD.		L-KLS1-CF-001-L26.9-S38.74-A	
Check by:		Date:	2018-03-10				
SCALE		SHEET	1 OF 1				