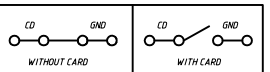
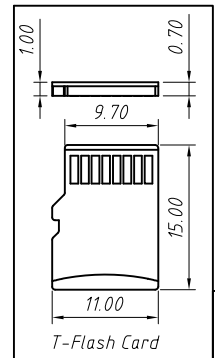
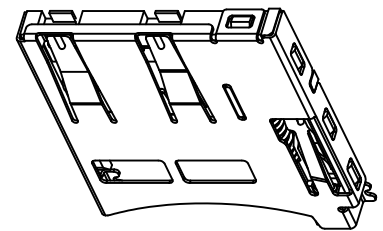
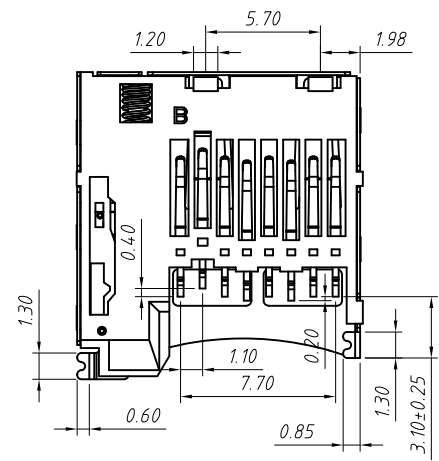
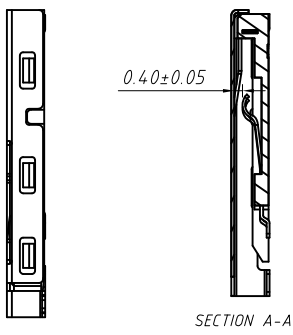
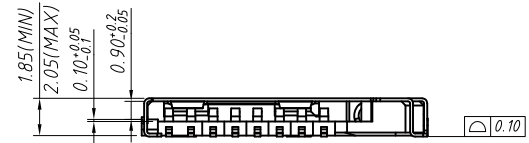
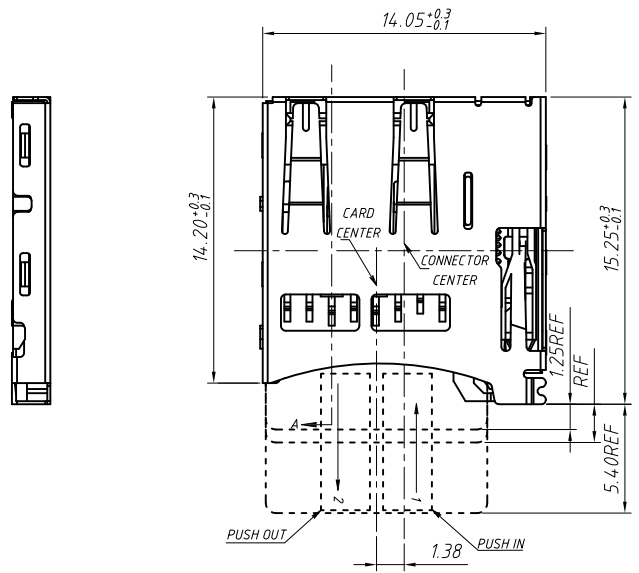


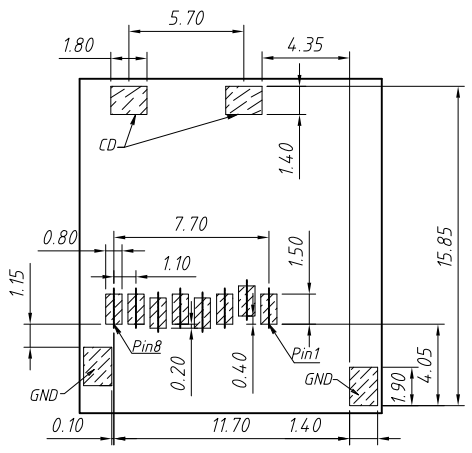
1 2 3 4 5 6 7 8

A  
B  
C  
D  
E  
F  
G  
H



**Material:**  
 Housing: High Temperature Thermoplastic, UL 94 V-0, Black.  
 Contact: Copper Alloy.  
 Shell: Stainless Steel, Nickel.  
 Slider: High Temperature Thermoplastic, UL 94 V-0, Black.  
 Lever: Stainless Steel, Nickel.  
 Spring: Pianowire, Nickel.

**Plating:**  
 Underplate: Nickel.  
 Contact Area: Gold over Nickel.  
 Solder Area: Tin over nickel.



RECOMMENDED PCB LAYOUT  
 GENERAL TOLERANCE ±0.05

PIN NO	NAME	TYPE	DESCRIPTION
1	DAT2	I/O/PP	DATE LINE(BIT2)
2	CD/DAT3	I/O/PP	CARD EDTECT DATE LIN(BIT3)
3	CMD	PP	COMMAND RESPONSE
4	VDD	S	SUPPLY VOLTAGE
5	CLK	I	CLOCK
6	VSS	S	SUPPLY VOLTAGE GROUND
7	DAT0	I/O/PP	DATE LINE(BIT0)
8	DAT1	I/O/PP	DATE LINE(BIT1)

GENERAL TOLERANCE	ANGLE TOLERANCE	PROJECTION	Description:
.X ±0.15	.X ±5°	UNITS	Micro SD Card CONN; PUSH/ PUSH, H1.85mm, SMD Normally closed L-KLS1-TF-001
.X ±0.03	.X ±3°	SHEET SIZE	
.XX ±0.05	.XX ±2°	KLS P/N:	

Draw by:	Jenny	Date:	2018-03-10
Check by:		Date:	2018-03-10
SCALE		SHEET	1 OF 1

NingBo KLS ELECTRONIC CO., L TD.

1 2 3 4 5 6 7 8