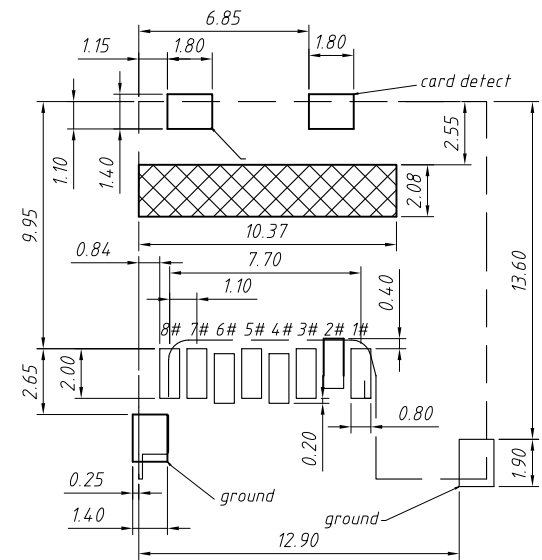
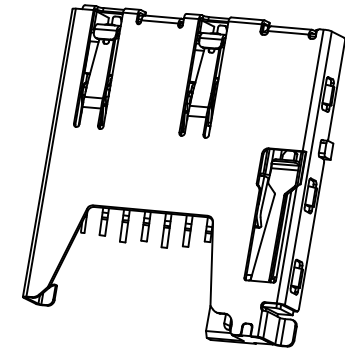
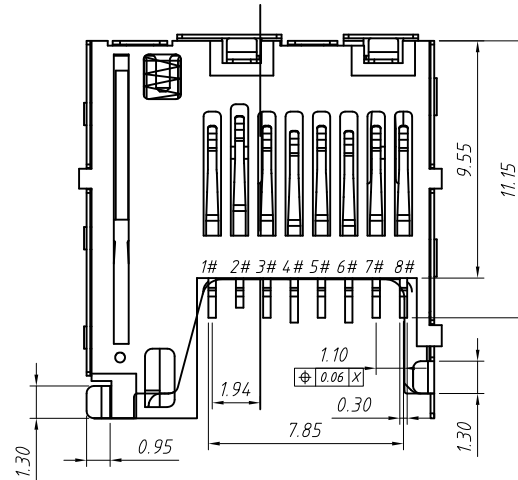
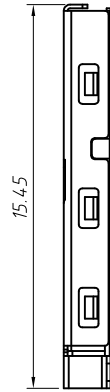
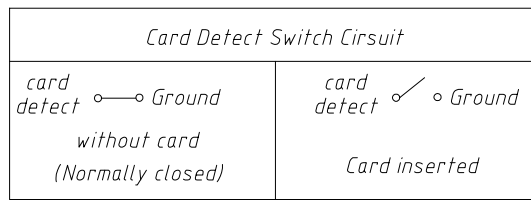


Micro SD Definition

PIN NO	NAME	FUNCTION
1	DAT2	DATE LINE(BIT2)
2	CD/DAT3	CARD DETECT DATE LIN(BIT3)
3	CMD	COMMAND RESPONSE
4	VDD	SUPPLY VOLTAGE
5	CLK	CLOCK
6	VSS	CARD DETECT
7	DAT0	DATE LINE(BIT0)
8	DAT1	DATE LINE(BIT1)



RECOMMENDED PCB LAYOUT  
ALL TOLERANCE ±0.05

**Material:**  
**Housing:**LCP,UL94V-0, Black.  
**Contact:**Phosphor Bronze.  
**Shell:**SUS304.  
**Coil Sping:**SUS.  
**Latch:**SUS.  
**Slider:**LCP,UL94V-0, Black.  
**Tin** 100u" at solder tail,Ni60u" min selective gold on contact area plating.

**Electrical:**  
**Contact Resistance:**100mΩ Max.  
**Dielectric Withstanding Voltage:**500V AC Max with 1 Minute.  
**Insulation Resistance:**1000MΩ Min.  
**Current Rating:**0.5mA AC/DC max.  
**Rated Voltage:**100V RMS Min.  
**Mating Force:**13.8N Max.  
**Unmating Force:**13.8N Min.  
**Contact Resistance Force:**100g Min.Per Pin.  
**Operating Temperature:**-25°C TO +85°C  
**Storage Temperature:**-40°C TO +85°C

GENERAL TOLERANCE		ANGLE TOLERANCE		PROJECTION		Description:	
X	±0.15	X	±5°	UNITS	mm	Micro SD Card CONN;PUSH/ PUSH,H1.85mm,SMD Normally closed L-KLS1-TF-001B	
.X	±0.03	.X	±3°	SHEET SIZE	A4		
.XX	±0.05	.XX	±2°		KLS P/N:		
Draw by:	Jenny	Date:	2018-03-10			NingBo KLS ELECTRONIC CO.,LTD.	
Check by:		Date:	2018-03-10				
SCALE		SHEET	1 OF 1				