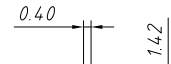
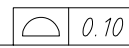
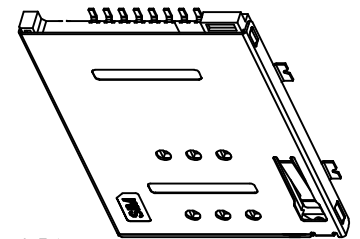
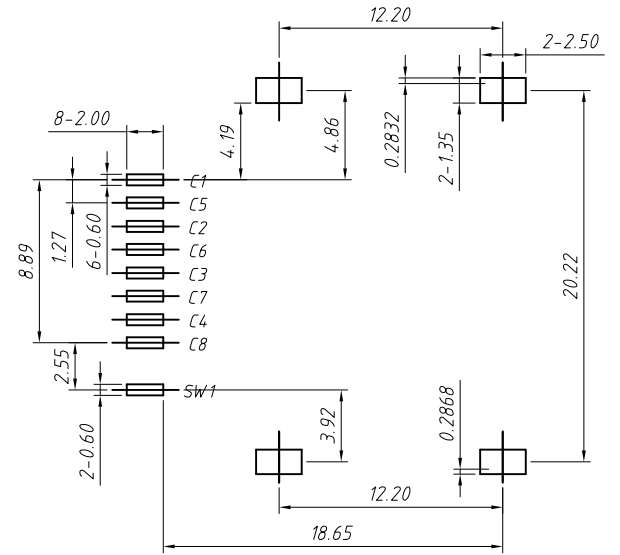


ALL SOLDER TAILS AND LATCH

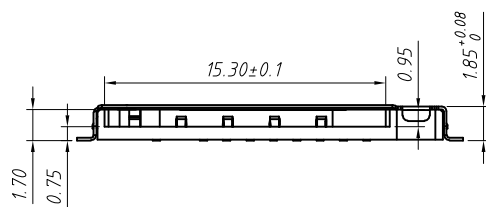


RECOMMENDED PCB LAYOUT



SIM Pin Assignment

Pin #	Name
C1	VCC
C2	RST
C3	CLK
C4	Reserved
C5	GND
C6	VPP
C7	I/O
C8	Reserved



Material:

Insulator:H-Temperature Plastic,UL94V-0.Black.

Contact:Copper Alloy,T=0.15mm

Shell:Stainless Steel,T=0.15mm

Finish:

Terminal:50u" min Nickel Underplated on

Allover,Gold Plating on Contact Arer,80u" min Tin on Solder Tail.

Shell:50u" Nickel Underplated on Allover,Gold Flash on Solder Latch.

Electrical:

Current Rating:0.5A.

Voltage Rating:5.0 Vrms.

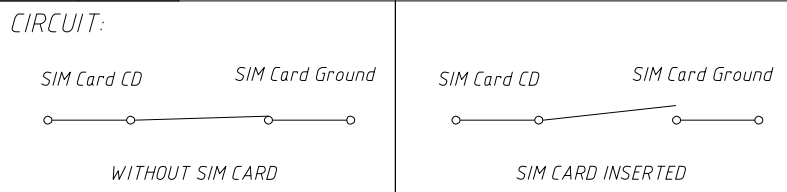
Insulation Resistance:500M Min.At DC 500V DC

Withstanding Voltage:250V ACrms For 1 Minute.

Contact Resistance:100M Max.At 10MA/20mV MAX.

Operating Temperature:-55°C TO +85°C

Mating Cycles:5000 Insertions.



GENERAL TOLERANCE		ANGLE TOLERANCE		PROJECTION		Description:	
X.	±0.15	X.	±5°	UNITS		SIM CARD CONN;PUSH PUSH, 8P,H1.85mm,SMD with CD Pin	
.X	±0.03	.X	±3°	SHEET SIZE	A4		
.XX	±0.05	.XX	±2°	KLS P/N:			
Draw by:	Jenny	Date:	2018-03-10			L-KLS1-SIM-074A-9P-H1.85-1-R	
Check by:		Date:	2018-03-10				
SCALE		SHEET	1 OF 1	NingBo KLS ELECTRONIC CO.,L TD.			