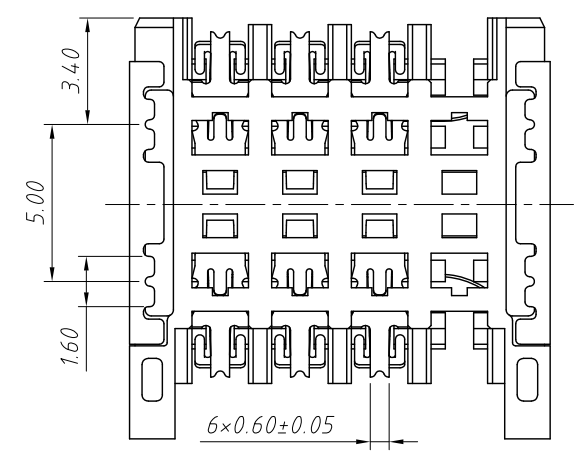
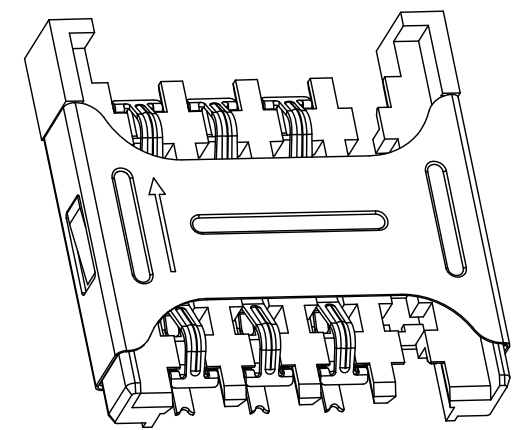


Electrical:

- General characteristics**
 Dimensions: 13.40L x 13.40W x 2.40H mm
 Weight: Approx 0.40 ± 0.1g
 Durability: 5000 cycles min.
- Electrical Characteristics**
 Contact Resistance: 50mΩ typical, 100Ω Max.
 Insulation Resistance: > 1000MΩ / 500V DC.
- Solderability**
 Vapor phase: 215°C. 30sec. Max.
 IR reflow: 250°C. 5sec. Max.
 Manual soldering: 370°C. 3sec. Max.
- Environmental Characteristics**
 Operating Temperature: -40°C TO +85°C
 Operating humidity: 10% - +95%RH.



Material:
 Base: Hi-Temp Thermoplastic, UL 94V-0. Black.
 Data Contact: Copper Alloy, Gold Plated.
 Shell: Stainless Steel, Gold Plated.

GENERAL TOLERANCE	ANGLE TOLERANCE	PROJECTION		
X. ±0.15	X. ±5°	UNITS	mm	Micro SIM Car CONN, 6P, H2.4mm, SMD
.X ±0.03	.X ±3°	SHEET SIZE	A4	
.XX ±0.05	.XX ±2°	KLS P/N:	L-KLS1-SIM-044-6P	
Draw by: Jenny	Date: 2018-03-10			
Check by:	Date: 2018-03-10			
SCALE	SHEET 1 OF 1	NingBo KLS ELECTRONIC CO., L TD.		