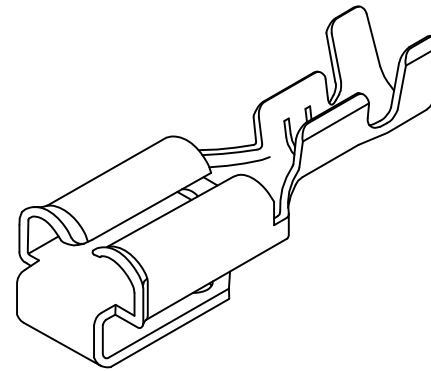
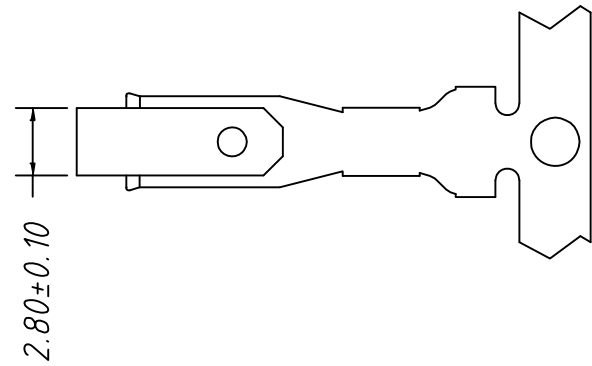
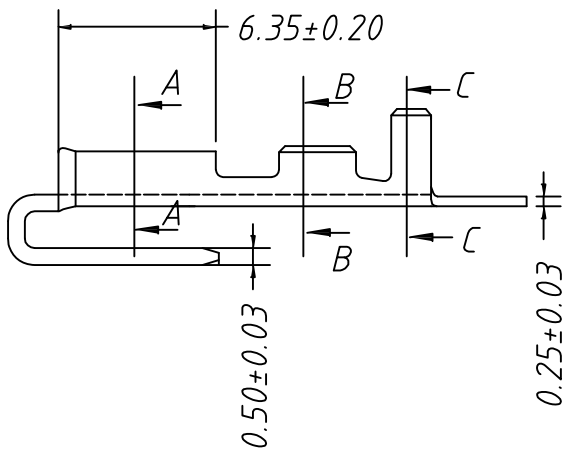
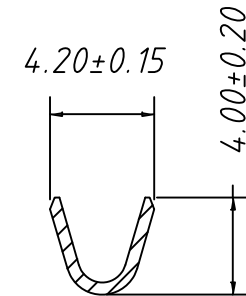
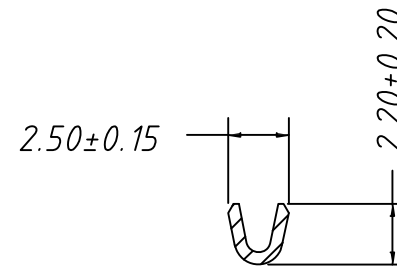
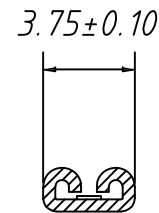
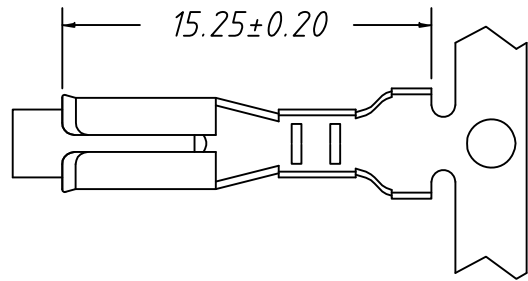


1  
RoHS Compliant



Note:


1. Appearance: Terminal cannot be corrected, scratched or oxidized
2. Material: Brass C2680, T=0.25mm, Tin plating
3. Q'TY: 2000PCS/REEL
4. Connectoin Table: W2.8×T0.8mm
5. Wire Range: 18~22AWG



SECTION A-A

SECTION B-B

SECTION C-C

TOLERANCE		PROJECTION	Description:
0 - 3mm	±0.10	UNITS	mm
3 - 6mm	±0.15	SHEET SIZE	A4
6 - 10mm	±0.20	KLS P/N: KLSB-AFM02-1100800	
10 - 30mm	±0.25		
Draw: Daniel	ANGLE ±3°	 NingBo KLS ELECTRONIC CO.,L TD.	
Check: Daniel	Data: 2019-04-10		