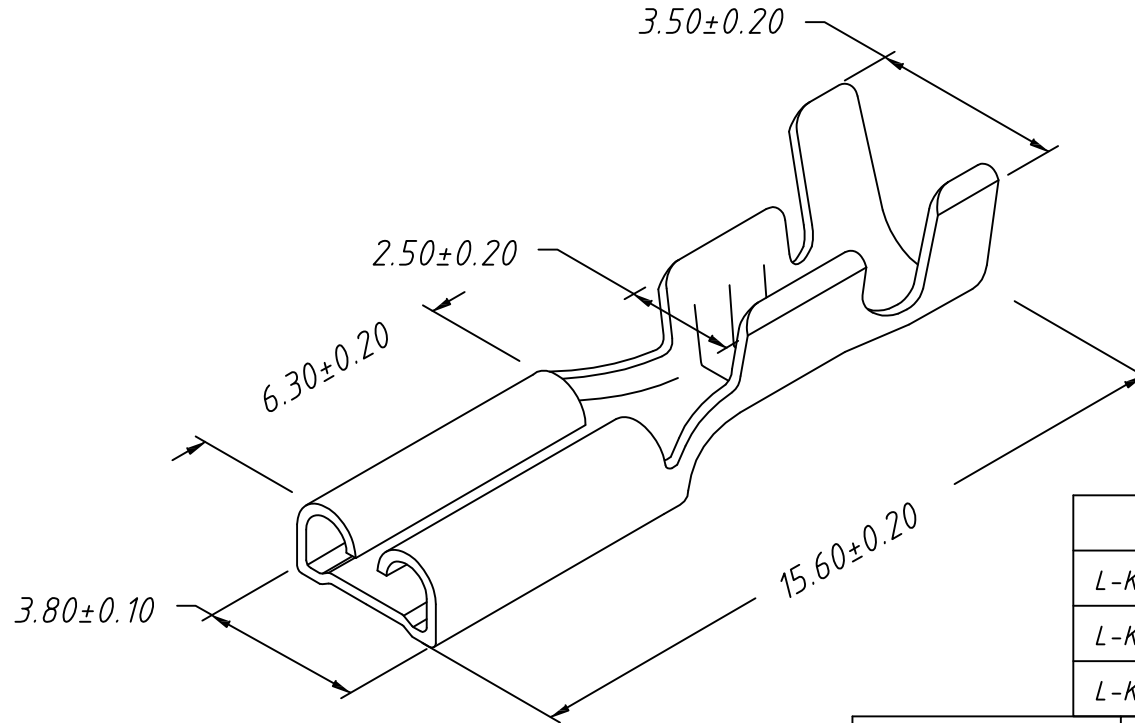
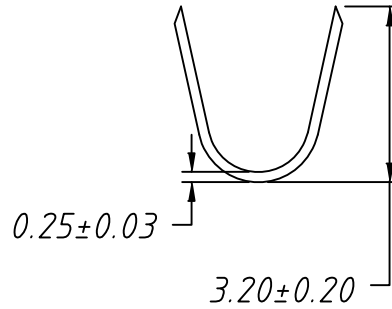
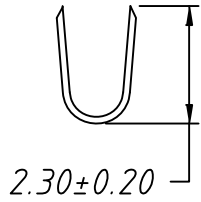



1  
RoHS Compliant



- Note:
1. Appearance: Terminal cannot be corrected, scratched or oxidized
  2. Material: Brass C2680, T=0.25mm, Tin plating
  3. Q'TY: 15000PCS/REEL
  4. Connectoin Table: See Table
  5. Wire Range: 20~22AWG

P/N	Connection Table
L-KLS8-AFE01-1100300	W2.8×T0.3mm
L-KLS8-AFE01-1100500	W2.8×T0.5mm
L-KLS8-AFE01-1100800	W2.8×T0.8mm

TOLERANCE		PROJECTION	Description:
0 - 3mm	±0.10	UNITS	mm
3 - 6mm	±0.15	SHEET SIZE	A4
6 - 10mm	±0.20	KLS P/N: KLS8-AFE01-1100X00	
10 - 30mm	±0.25	110 Type Straight Female Terminal for Cable	
Draw: Daniel	ANGLE ±3°	 NingBo KLS ELECTRONIC CO.,L TD.	
Check: Daniel	Data: 2019-04-10		