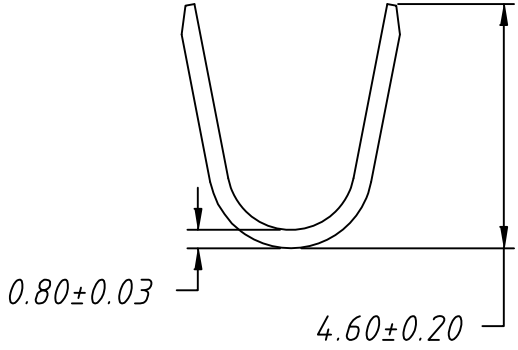
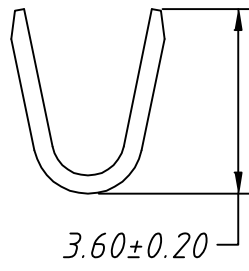
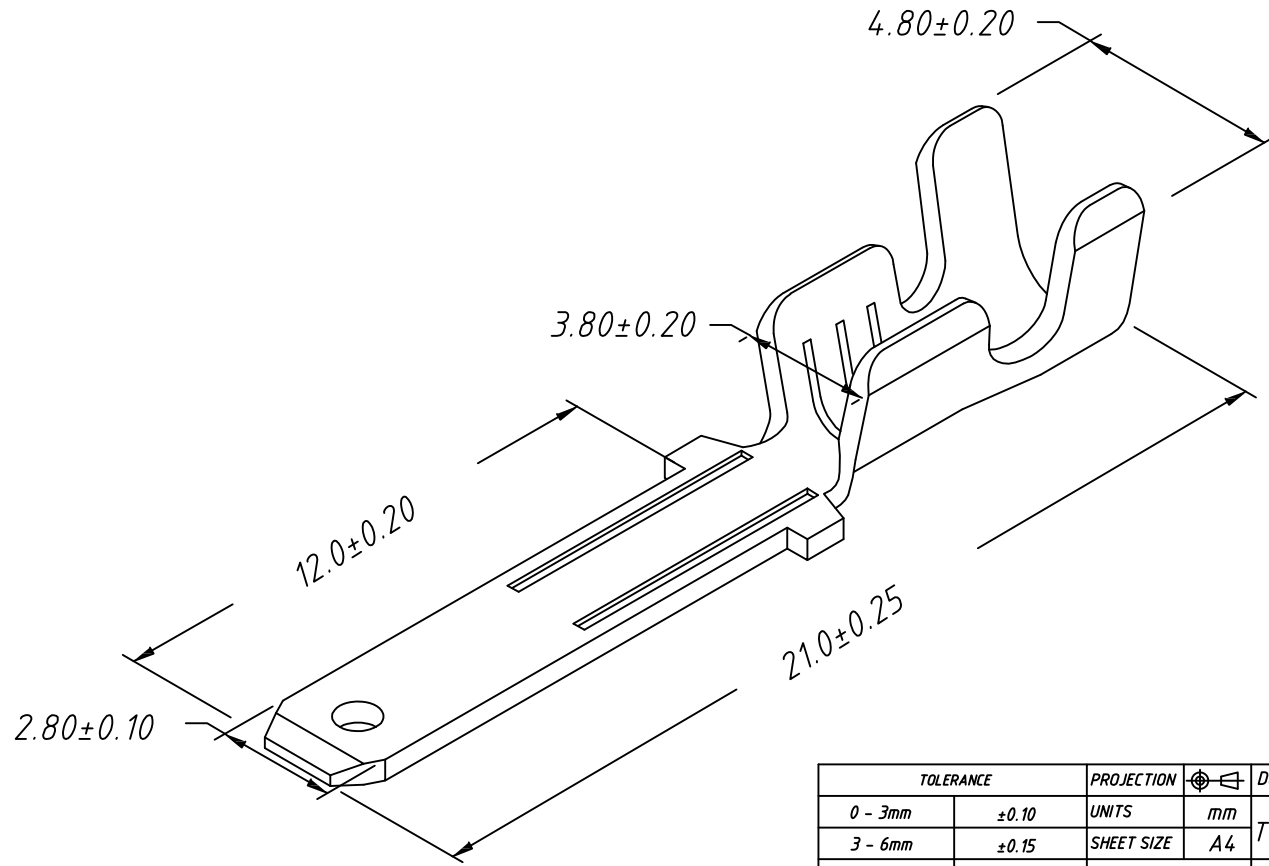



1  
RoHS Compliant



Note:  
 1. Appearance: Terminal cannot be corrected, scratched or oxidized  
 2. Material:  
     Brass T=0.80mm, Tin plating  
 3. Q'TY: 5000PCS/REEL  
 4. Wire Range: 16~20AWG



TOLERANCE		PROJECTION	Description:
0 - 3mm	±0.10	UNITS	mm
3 - 6mm	±0.15	SHEET SIZE	A4
6 - 10mm	±0.20	KLS P/N: KLSB-AMN05-1100800	
10 - 30mm	±0.25	NingBo KLS ELECTRONIC CO.,L TD.	
Draw: Daniel	ANGLE ±3°		
Check: Daniel	Data: 2019-04-10		