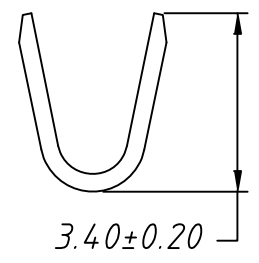
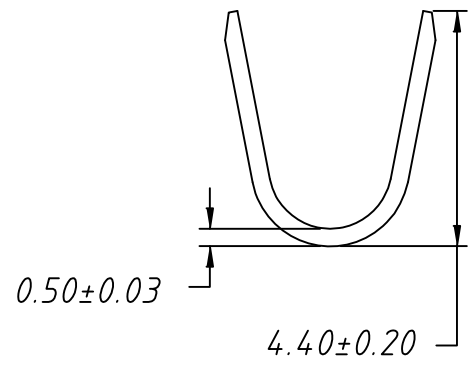
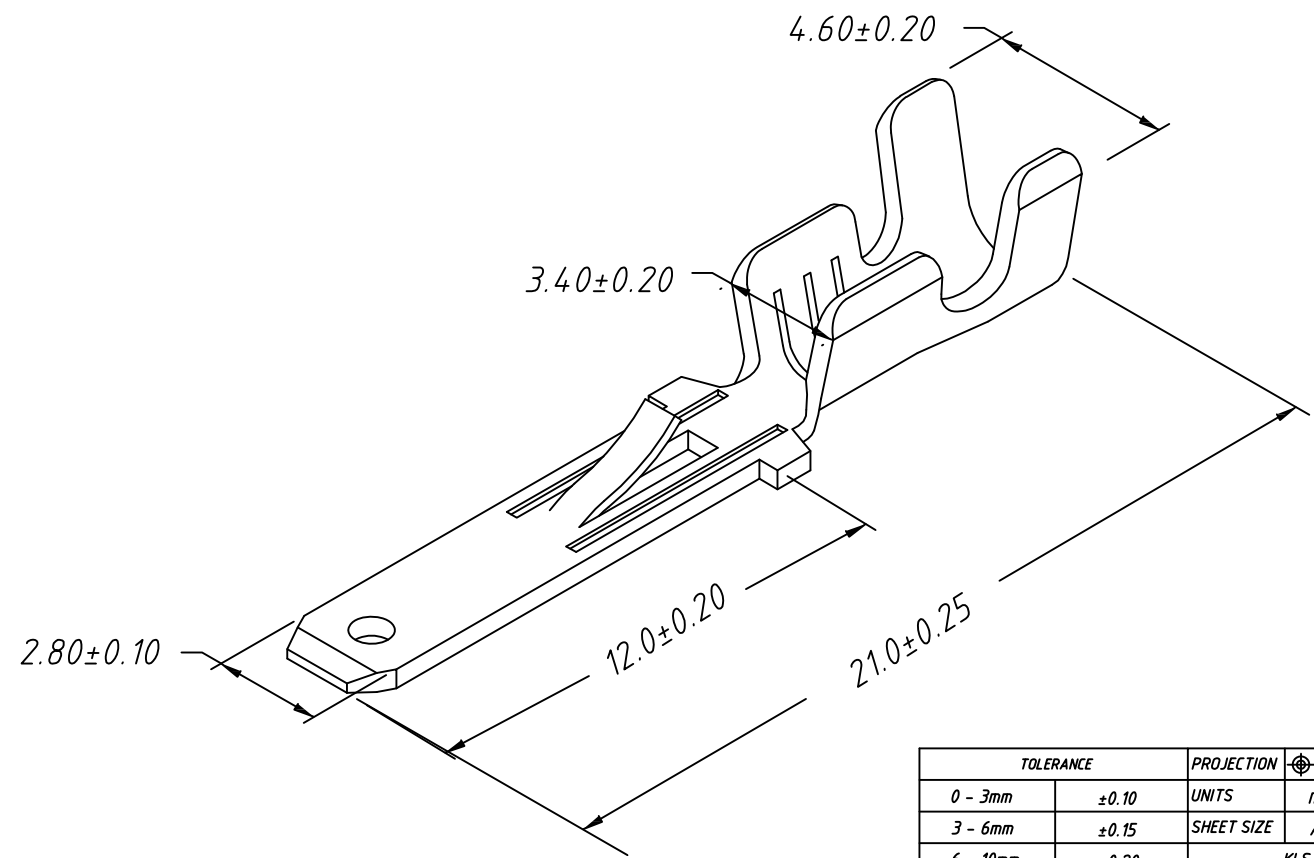


1
RoHS Compliant



Note:
 1. Appearance: Terminal cannot be corrected, scratched or oxidized
 2. Material: Brass C2680 T=0.50mm, Tin plating
 3. Q'TY: 5000PCS/REEL
 4. Wire Range: 18~22AWG



TOLERANCE		PROJECTION	Description:
0 - 3mm	±0.10	UNITS	mm
3 - 6mm	±0.15	SHEET SIZE	A4
6 - 10mm	±0.20	KLS P/N: KLSB-AMN06-1100500	
10 - 30mm	±0.25	KLS	
Draw: Daniel	ANGLE ±3°	NingBo KLS ELECTRONIC CO.,L TD.	
Check: Daniel	Data: 2019-04-10		

