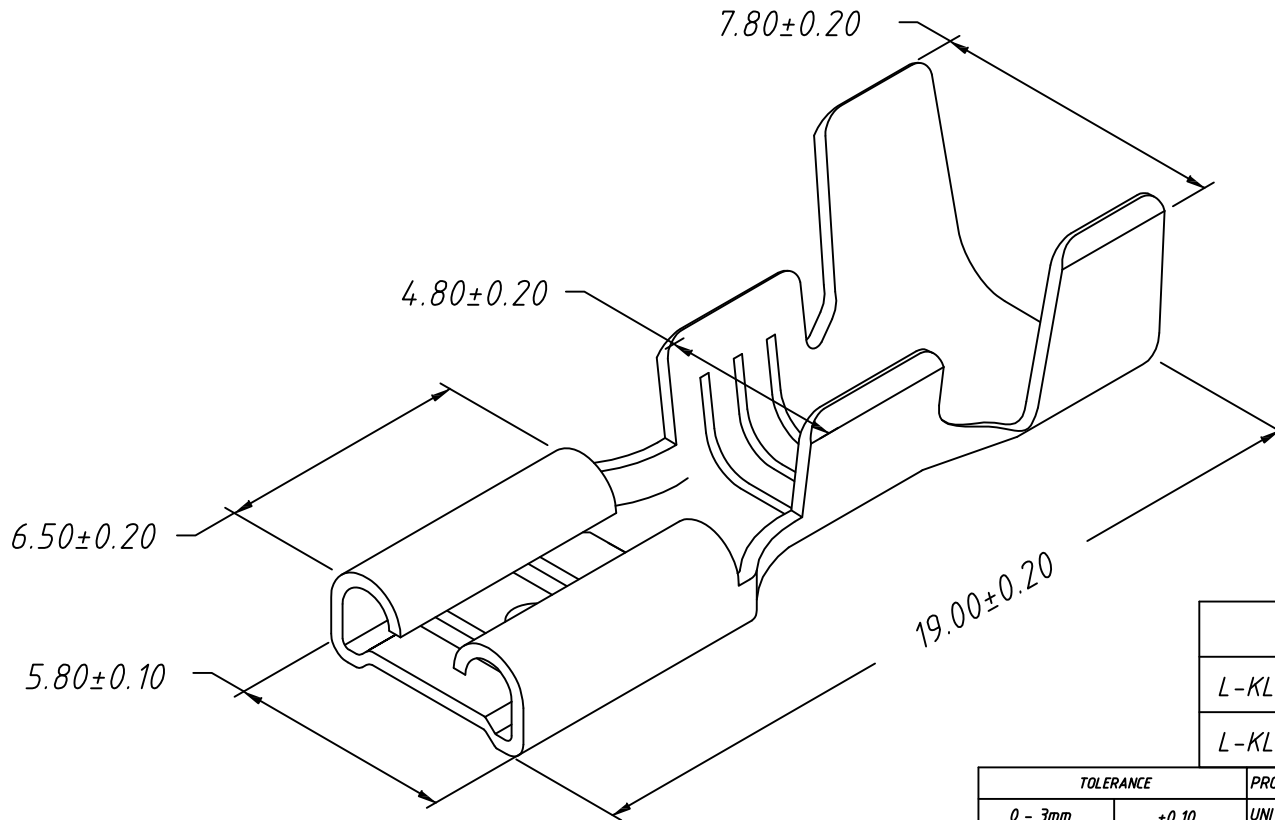
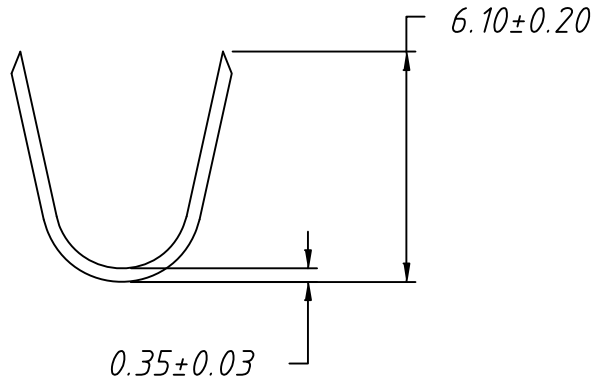
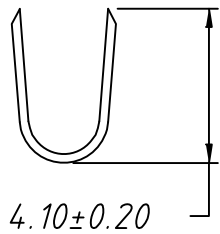



1  
RoHS Compliant



Note:  
 1. Appearance: Terminal cannot be corrected, scratched or oxidized  
 2. Material:  
     Brass C2680, T=0.35mm, Tin plating  
 3. Q'TY: 5000PCS/REEL  
 4. Connectoin Table: See Table  
 5. Wire Range: 12~14AWG or  
     14AWG+14AWG or  
     14AWG+16AWG or  
     16AWG+16AWG

P/N	Connection Table
L-KLS8-BFE03-1870500	W4.75×T0.5mm
L-KLS8-BFE03-1870800	W4.75×T0.8mm

TOLERANCE		PROJECTION	Description:		
0 - 3mm	±0.10	UNITS	187 Type Straight Female Terminal for Cable		
3 - 6mm	±0.15	SHEET SIZE			
6 - 10mm	±0.20	KLS P/N: KLS8-BFE03-1870X00			
10 - 30mm	±0.25	 NingBo KLS ELECTRONIC CO.,L TD.			
Draw:	Daniel			ANGLE	±3°
Check:	Daniel			Data:	2019-04-10