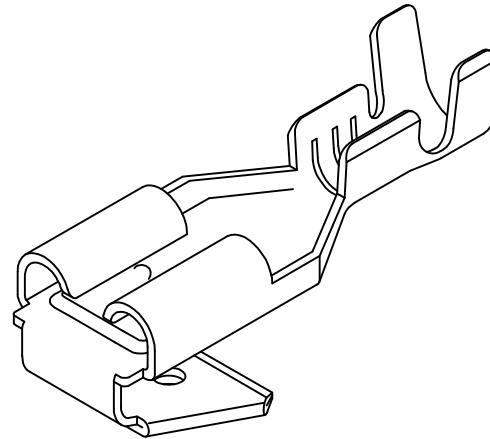
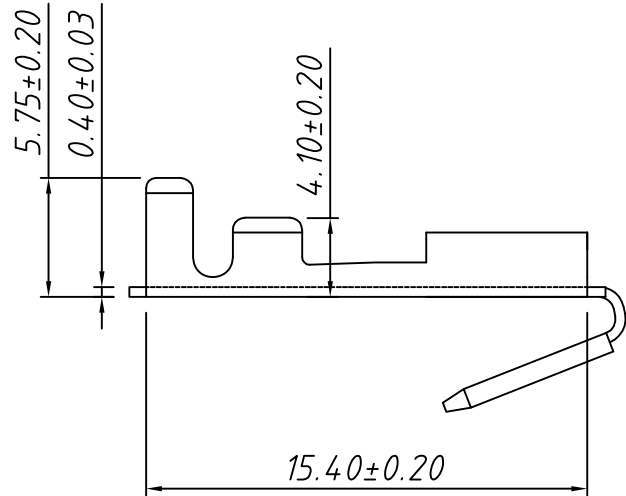
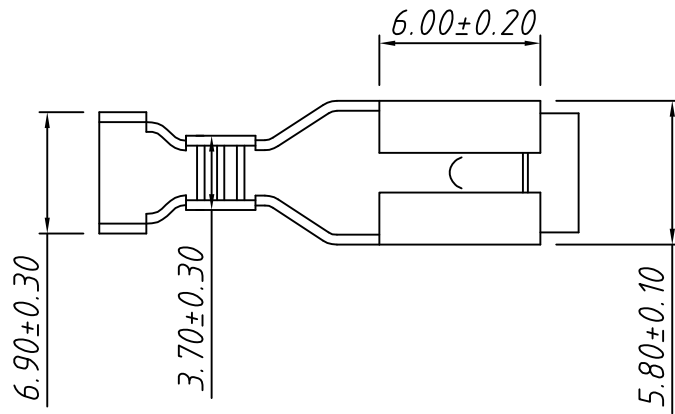


1
RoHS Compliant



Note:

1. Appearance: Terminal cannot be corrected, scratched or oxidized


2. Material:

Brass C2680, T=0.40mm, Tin plating

3. Q'TY: 2000PCS/REEL

4. Connectoin Table: W4.75×T0.80mm

5. Wire Range: 16AWG + 16AWG or
16AWG + 18AWG or
18AWG + 18AWG

TOLERANCE		PROJECTION	Description:		
0 - 3mm	±0.10	UNITS	mm		
3 - 6mm	±0.15	SHEET SIZE	A4		
6 - 10mm	±0.20	KLS P/N: KLS8-BFM02-1870800			
10 - 30mm	±0.25	 NingBo KLS ELECTRONIC CO.,L TD.			
Draw:	Daniel			ANGLE	±3°
Check:	Daniel			Data:	2019-04-10