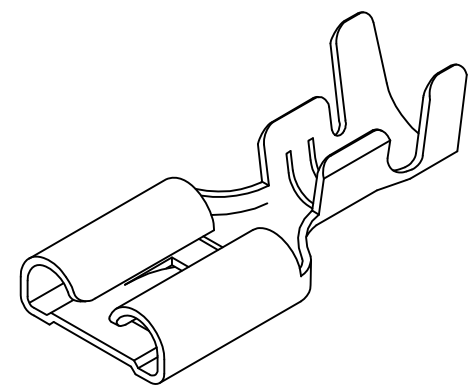
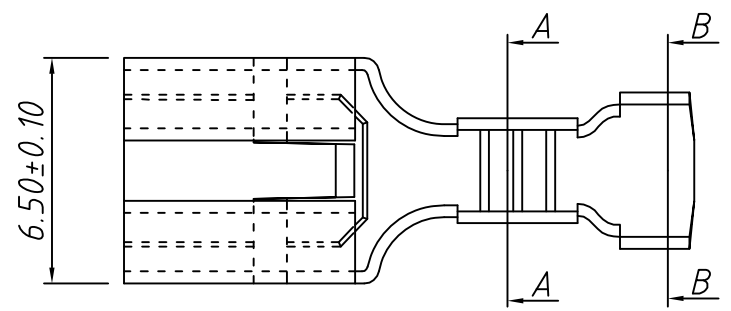
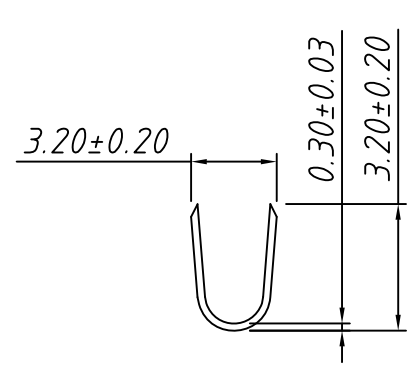
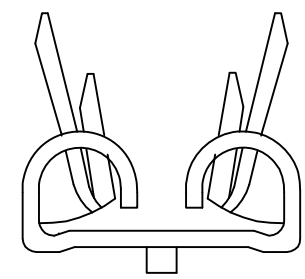
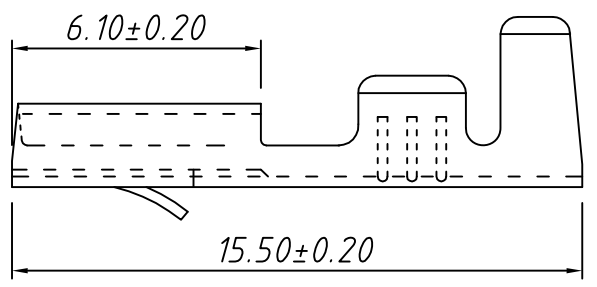


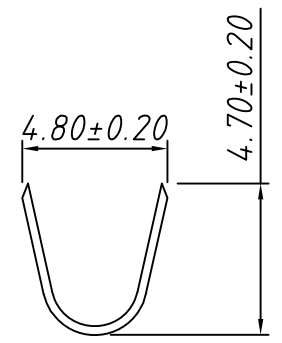
1  
RoHS Compliant




Note:  
 1. Appearance: Terminal cannot be corrected, scratched or oxidized  
 2. Material: Brass C2680, T=0.30mm, Tin plating  
 3. Q'TY: 10000PCS/REEL  
 4. Connectoin Table: W5.2×T0.80mm  
 5. Wire Range: 16~18AWG



SECTION A-A



SECTION B-B

TOLERANCE		PROJECTION	Description: 205 Type Straight Female TERM. With Latch		
0 - 3mm	±0.10	UNITS		mm	
3 - 6mm	±0.15	SHEET SIZE	A4		
6 - 10mm	±0.20	KLS P/N: KLS8-CFT01-2050800			
10 - 30mm	±0.25	 NingBo KLS ELECTRONIC CO.,L TD.			
Draw:	Daniel			ANGLE	±3°
Check:	Daniel			Data:	2019-04-10