

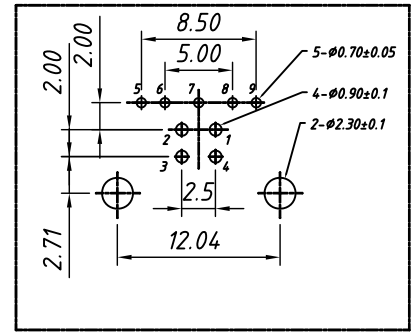
Material
 Housing: Thermoplastic, Glass Fiber Filled, UL 94-HB
 Cover: Thermoplastic, Glass Fiber Filled, UL 94 V-0
 USB2.0 Contact: Copper Alloy, Gold.
 USB3.0 Contact: Copper Alloy, Gold.
 Shell: Brass/Spcc, Nickel(Ni) T=0.30MM

Electrical
 Contact Current Rating: 1.5 A For
 Pin1&Pin4 0.25 A Other Contacts.
 Withstanding Voltage: 100vac(Rms)
 Contact Resistance: 30mΩ Max(Initial) For
 Pin1&Pin4
 50mΩ Max(Initial) For Other Contacts
 10mΩ Max Change For Post Test Llc
 Insulation Resistance: 1000mΩ Min

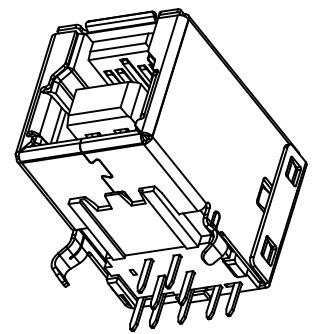
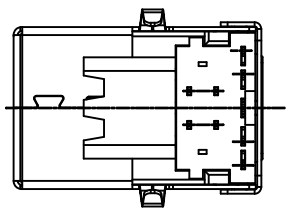
Mechanical
 Operating Temperature: -40°C TO +85°C.
 Mating Force: 35N MAX
 Unmating Force: 10N MIN.

Order Information

L-KLS1- 148F - L
 Color: L:Blue
 USB 3.0 type B
 Female Connector
 RoHS



P.C.B LAYOUT



GENERAL TOLERANCE	PROJECTION		Description:
.X ±0.50	UNITS	mm	USB 3.0 Type B Female CONN. R/A
.X ±0.25	SCALE	1:1	
.XX ±0.10	Draw by:	Jenny	
ANGLE TOLERANCE	Check by:		KLS P/N: KLS1-148F
.X ±5°	Date	2018-03-01	NingBo KLS ELECTRONIC CO.,L TD.
.X ±3°	SHEET	1 OF 1	
.XX ±2°			