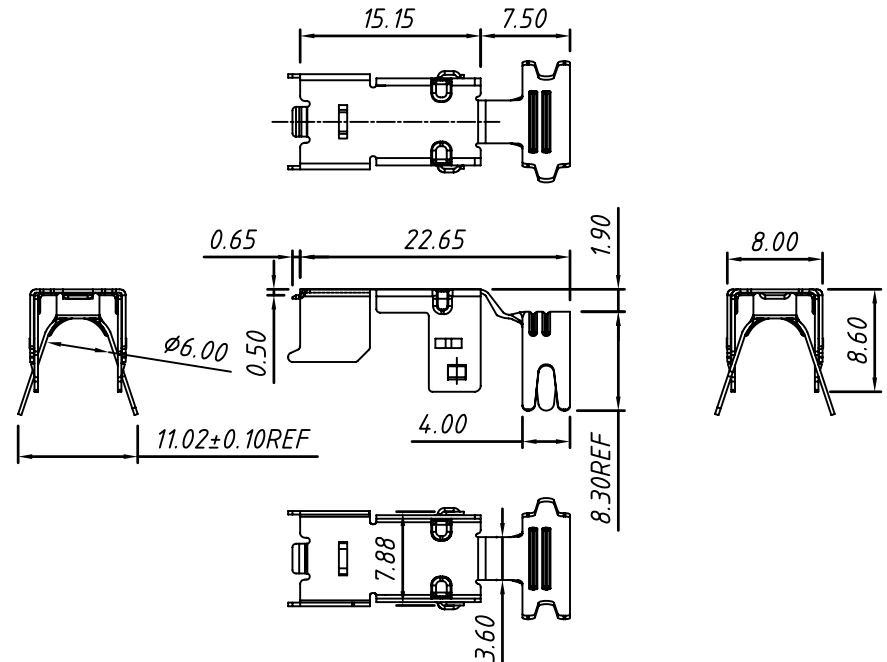
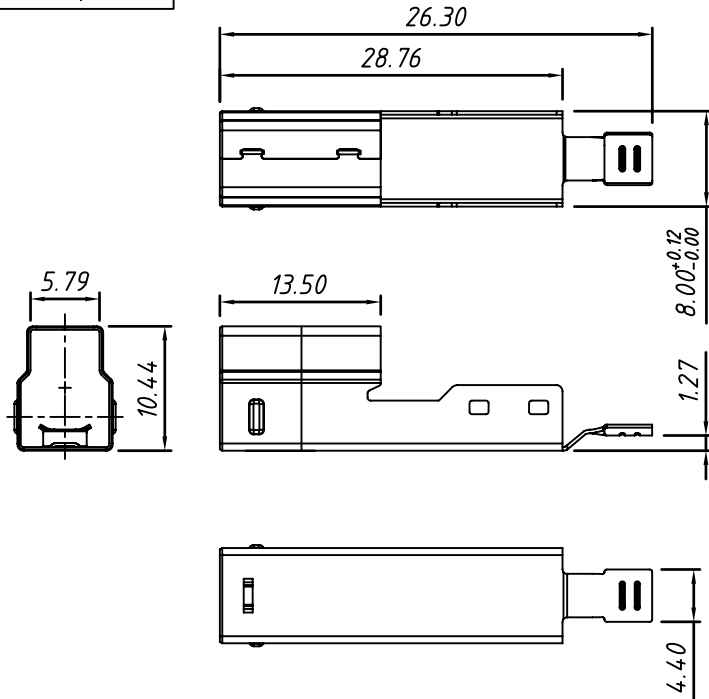


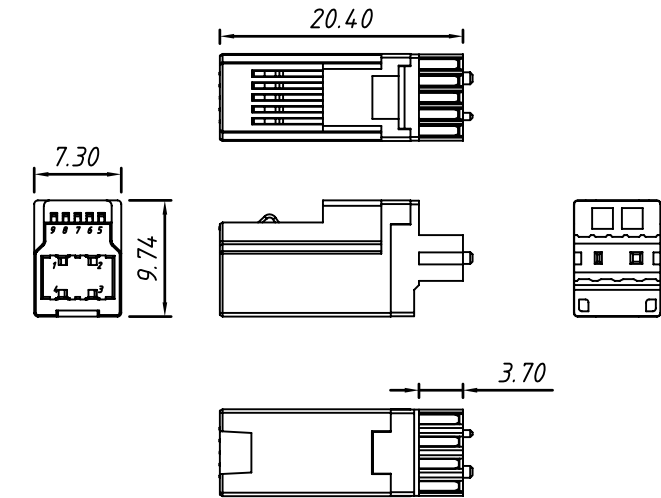
1 RoHS Compliant

2 3 4 **DOWN COVER**

5 6 7 8 **UP COVER**

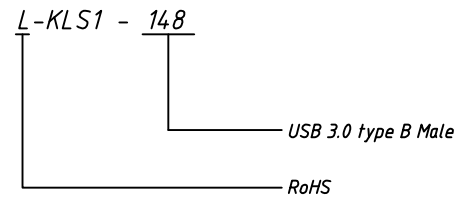


1 2 3 4 **Housing**



Material
 Housing: 30% Glass filled PBT UL 94V-0
 Contacts: copper
 Pin Plated: Gold 3u" over 50u" nickel
 Shell: Spcc, Nickel plated

Order Information



Electrical
 Contact Current Rating: 1.8 A
 Withstanding Voltage: 500VAC(Rms)
 Contact Resistance: 30mΩ Max
 Insulation Resistance: 1000MΩ Min

Mechanical
 Operating Temperature: -30°C TO +80°C.

GENERAL TOLERANCE	PROJECTION		Description:
X. ±0.50	UNITS	mm	USB 3.0 Type B Male CONN,
.X ±0.25	SCALE	1:1	
.XX ±0.10	Draw by:	Daniel	KLS P/N: KLS1-148
ANGLE TOLERANCE	Check by:	Daniel	NingBo KLS ELECTRONIC CO.,L TD.
X. ±5°	Date	2018-03-01	
.X ±3°	SHEET	1 OF 1	
.XX ±2°			