

RECOMMENDED PCB LAYOUT

Material:

Insulator: LCP or Nylon .UL94V-0

Contacts: Phosphor Bronze, (T=0.25mm).

Shell: Cold Roller Steel or brass, Nickel Plated.

Electrical:

Contact Current Rating : 1Amp. 30V AC

Dielectric Withstanding Volt: AC 500V/Min.R.M.S.

Insulation Resistance: 1000MΩ Min. at 250V DC

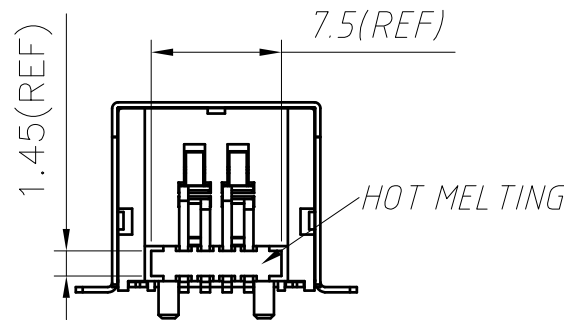
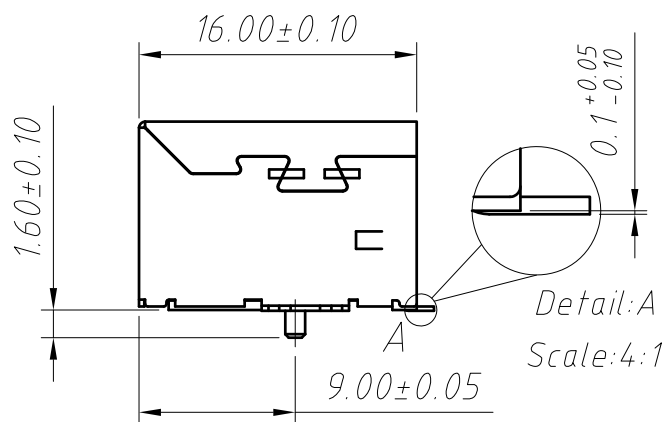
Contact Resistance: 30mΩ Max.

Operating Temperature: -55°C to +85°C

Mechanical Characteristics:

Mating Force: 3.57Kg. Max.

Unmating Force: 1.02Kg. Min.. 2kgf Min.



GENERAL TOLERANCE	PROJECTION		Description:
X. ±0.50	UNITS	mm	CONN COM TYPE B USB Female SMD
.X ±0.25	SCALE	1:1	
.XX ±0.10	Draw by:	Jenny	
ANGLE TOLERANCE	Check by:		KLS P/N: L-KLS1-156-X
X. ±5°	Date	2018-03-01	NingBo KLS ELECTRONIC CO.,L TD.
.X ±3°	SHEET	1 OF 1	
.XX ±2°			