

RECOMMENDED PCB LAYOUT

**Material**

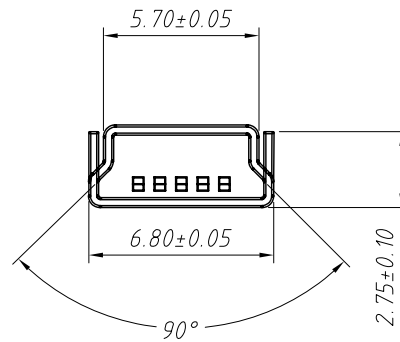
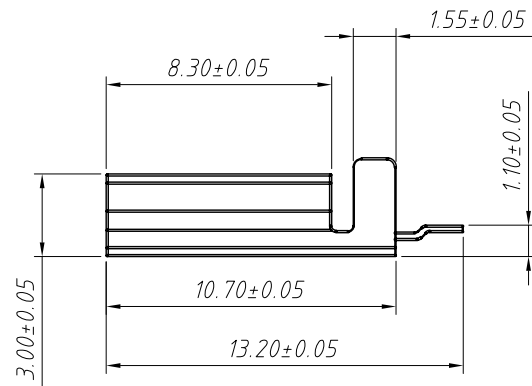
Housing: Thermoplastics, UL 94 V-0, PTB/LCP, Black/White.  
 Contact: Copper Alloy.  
 Shell: Copper Alloy / Steel. Nickel plated / Tin-Lead plated.

**Electrical:**

Voltage Current Rating: 1.5AMP.30V AC.  
 Insulation Resistance: 1000MΩ Min.  
 Contact Resistance: 30mΩ Max.  
 Dielectric Withstanding Voltage: 500 V AC.  
 Temperature Range: -35°C TO +85°C.

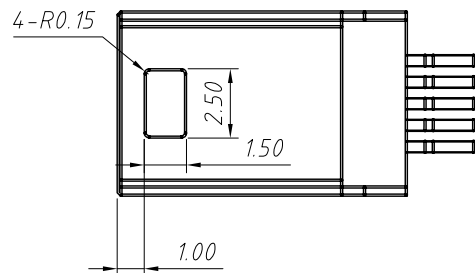
**Mechanical:**

Mating Force: 3.5KG Max.  
 Unmating Force: 1.0KG Min.



**Order Information**

L-KLS1- 229 - 5MA-B-R  
 R-Reel packing  
 Color:B=Black  
 Serial number  
 Model  
 RoHS



GENERAL TOLERANCE	PROJECTION		Description:
X. ±0.30	UNITS	mm	MINI USB TYPE B
.X ±0.25	SCALE	1:1	PLUG Male, SMD, MID MOUNT
.XX ±0.20	Draw by:	Jenny	KLS P/N: L-KLS1-229-5MA-B-R
ANGLE TOLERANCE	Check by:		NingBo KLS ELECTRONIC CO.,L TD.
X. ±3°	Date	2018-03-01	
.X ±2°	SHEET	1 OF 1	
.XX ±1°			