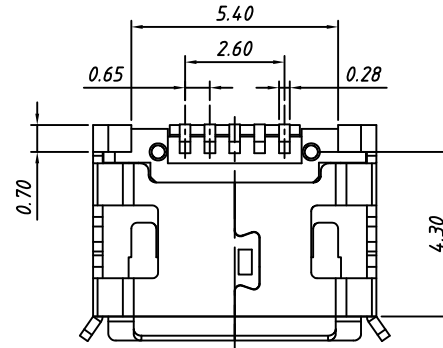


SECTION A-A

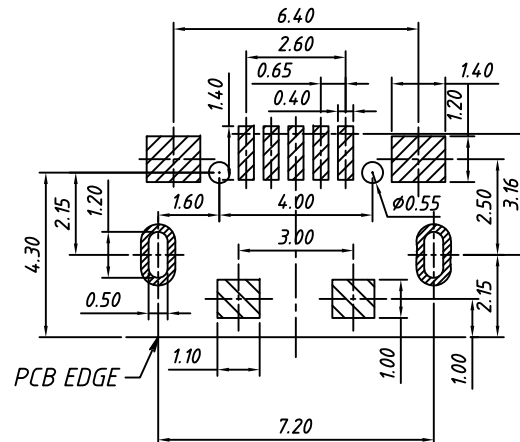
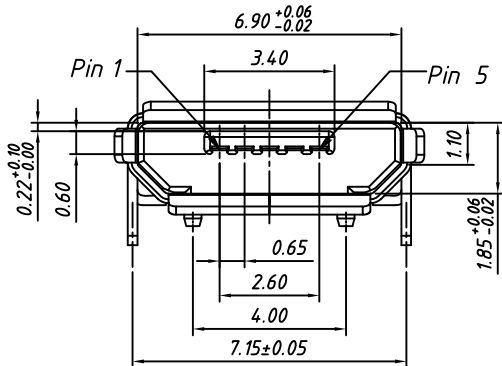


Material
 Housing:Hing Temperature Thermoplastic
 with G.F,UL94V-0,Black
 Contact:Copper Alloy,t=0.20mm.
 Shell:Copper Alloy,t=0.25mm.

Electrical:
 Current Rating:1A Max.
 Dielectric Withstanding Voltage:
 100 V AC for 1 min.
 Contact Resistance:50mΩ Max.
 Insulation Resistance:100MΩ Min.
 Total Mating Force:3.57 kgf Max.
 Total Unmating Force:1.0 kgf Min.
 Temperature Range: -30°C Up To +80°C

Order Information

L-KLS1- 4247 - B - R
 R-Reel packing
 Color:B=Black
 Micro USB
 RoHS



RECOMMENDED PCB LAYOUT

GENERAL TOLERANCE	PROJECTION		Description:
X. ±0.50	UNITS	mm	CONN RCPT 5POS MICRO USB DIP 7.2mm
.X ±0.25	SCALE	1:1	
.XX ±0.10	Draw by:	Jenny	KLS P/N: L-KLS1-4247-B-R
ANGLE TOLERANCE	Check by:		
X. ±5°	Date	2018-03-01	NingBo KLS ELECTRONIC CO.,L TD.
.X ±3°	SHEET	1 OF 1	
.XX ±2°			