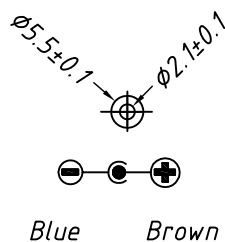
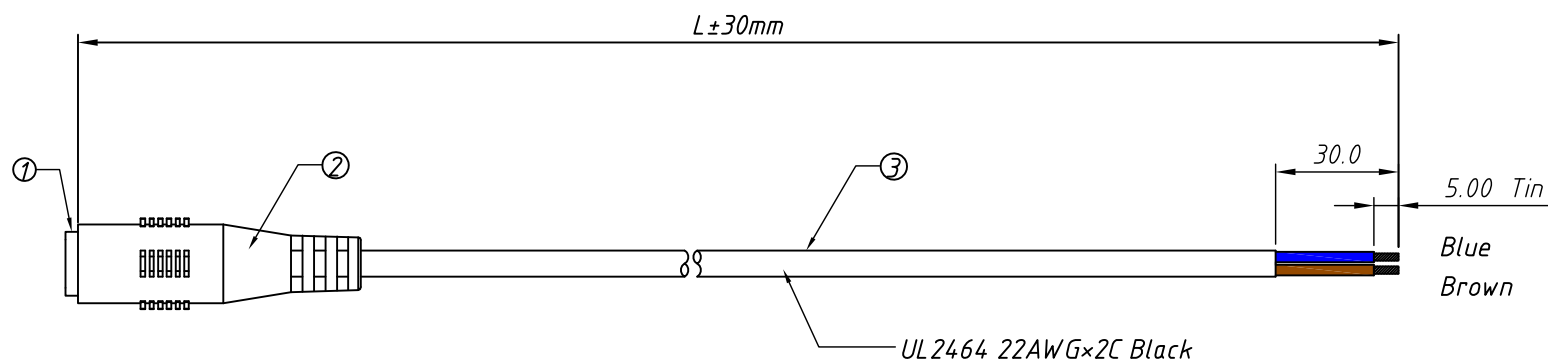


1  
RoHS Compliant



Order Information

L-KLS17-ARS001- 22 B 1000

L: RoHS

ARS001: 5.5×2.1 DC Female- Tin

22: UL2464 22AWG×2C

B: Color: B- Black W- White

1000: Length 1000=1000mm

1500=1500mm

Note

1: Open/Short Text 100% Text.

2: Text Volts/insulation: DC 5V / 500KΩ

3: All must be meet on RoHS Compliant

3	Cable	UL2464-22AWG×2C,Black	mm	L
2	PVC molding	PVC,BLACK	g	xx
1	Connector	5.5×2.1 DC Female Jack	PCS	1
ITEM	PART NAME	Description	UNIT	Q'TY

		Description:	
		5.5×2.1mm To Tin, DC Female Cable	
PROJECTION		KLS P/N:	L-KLS17-ARS001-22BXXXX
UNITS	mm		
SHEET SIZE	A4		
Draw: Daniel	2018-05-10	NingBo KLS ELECTRONIC CO.,L TD.	
Check: Daniel	2018-05-17		