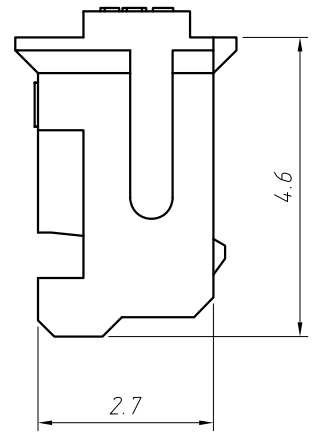
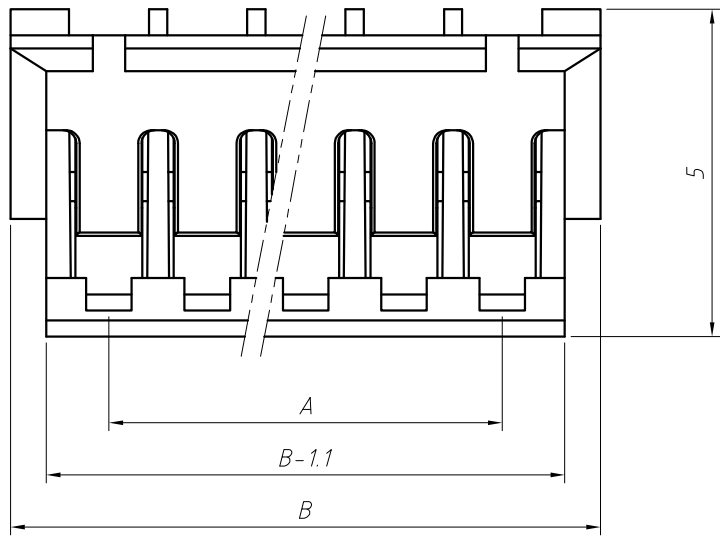


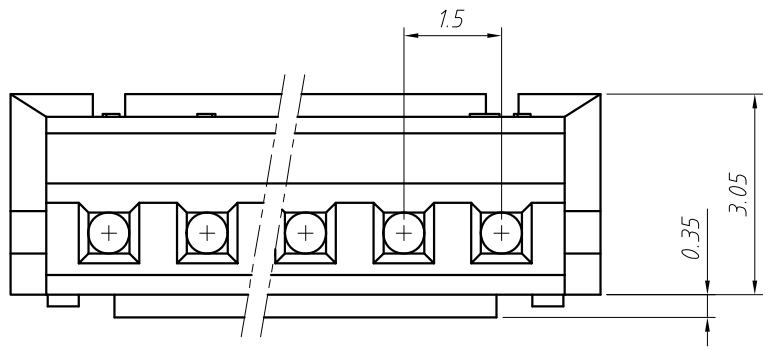
1 2 3 4 5 6 7 8

A  
B  
C  
D  
E  
F  
G  
H



Material:  
Housing:PA66(UL 94 V-0/V-2),White

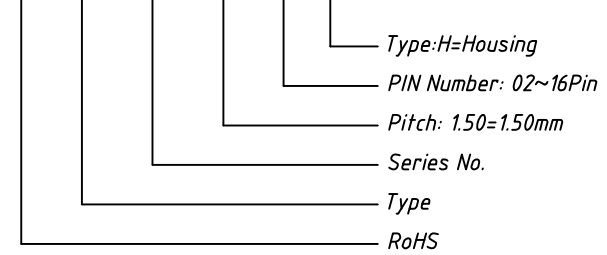
- Electrical Characteristics:
- 1.Poles: 2 to 16P
  - 2.Current rating: 1.0A
  - 3.Voltage rating: 50V
  - 4.Temperature range: -25℃ to +85℃
  - 5.Contact resistance:  $\leq 20m\Omega$
  - 6.Insulation resistance:  $\geq 500M\Omega$
  - 7.Withstand voltage: 500V AC/minute
  - 8.Applicable wire: AWG #32 to #22
  - 9.Applicable PC board thickness: 1.2mm to 1.6mm



Circuit	Dimensions(mm)	
	A	B
02	1.50	4.50
03	3.00	6.00
04	4.50	7.50
05	6.00	9.00
06	7.50	10.50
07	9.00	12.00
08	10.50	13.50
09	12.00	15.00
10	13.50	16.50
11	15.00	18.00
12	16.50	19.50
13	18.00	21.00
14	19.50	22.50
15	21.00	24.00
16	22.50	25.50

Order Information

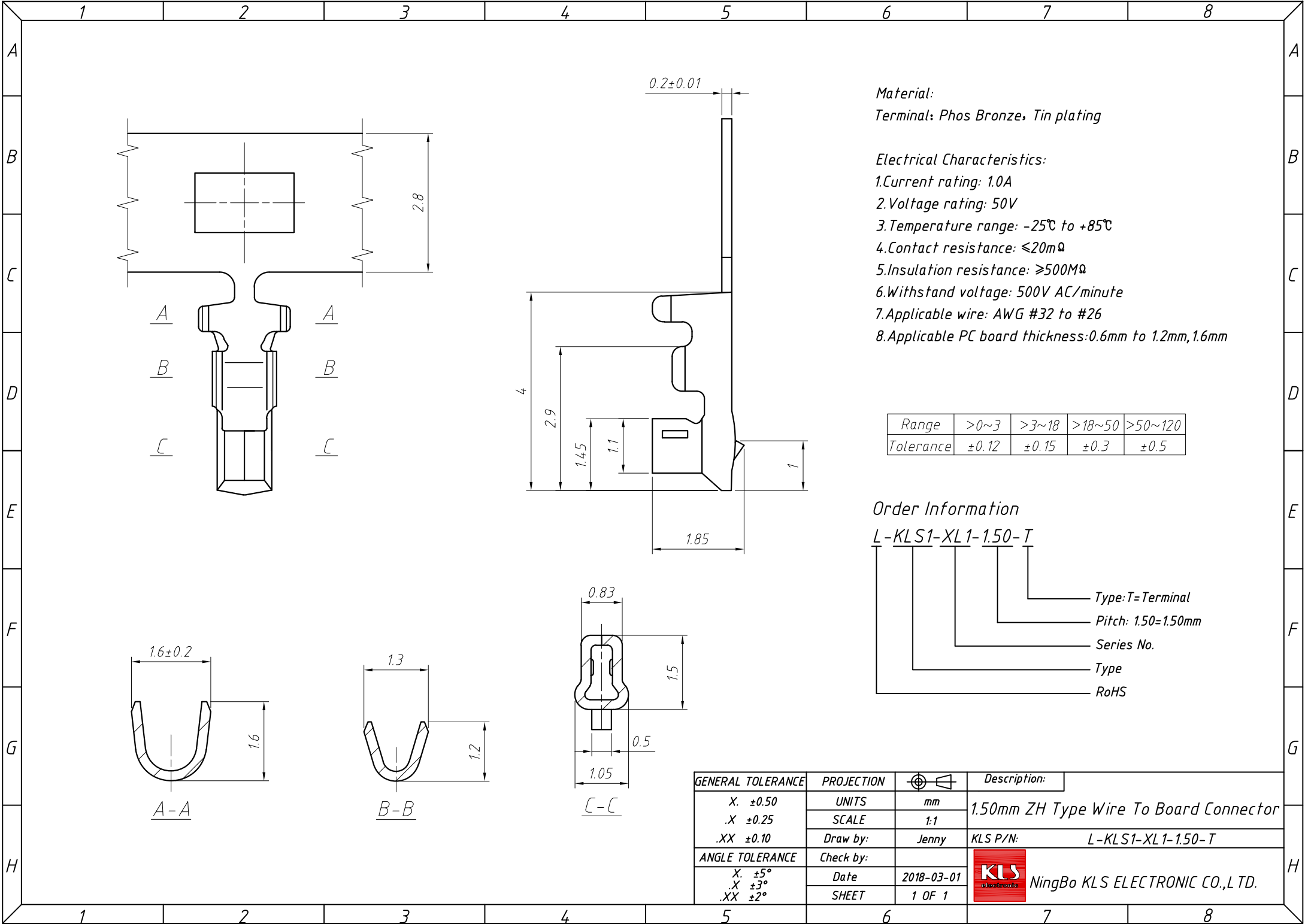
L-KLS1-XL1-1.50-XX-H



Range	>0~3	>3~18	>18~50	>50~120
Tolerance	±0.12	±0.15	±0.3	±0.5

GENERAL TOLERANCE	PROJECTION		Description:
X. ±0.50	UNITS	mm	1.50mm ZH Type Wire To Board Connector
.X ±0.25	SCALE	1:1	
.XX ±0.10	Draw by:	Jenny	
ANGLE TOLERANCE	Check by:		KLS P/N: L-KLS1-XL1-1.50-XX-H
X. ±5°	Date	2018-03-01	NingBo KLS ELECTRONIC CO.,L TD.
.X ±3°	SHEET	1 OF 1	
.XX ±2°			

1 2 3 4 5 6 7 8

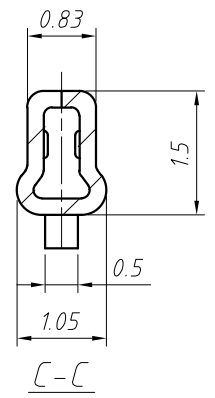
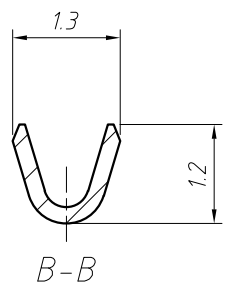
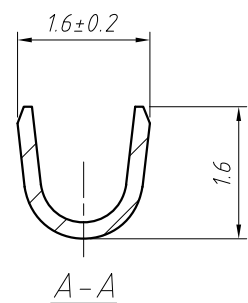
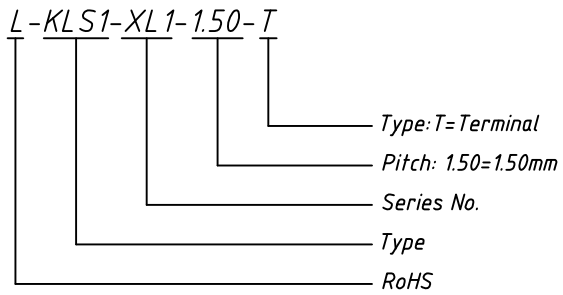


**Material:**  
Terminal: Phos Bronze, Tin plating

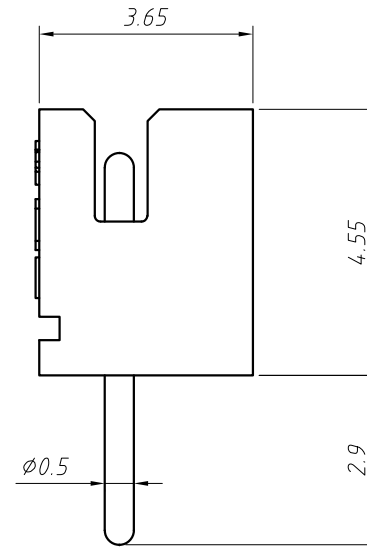
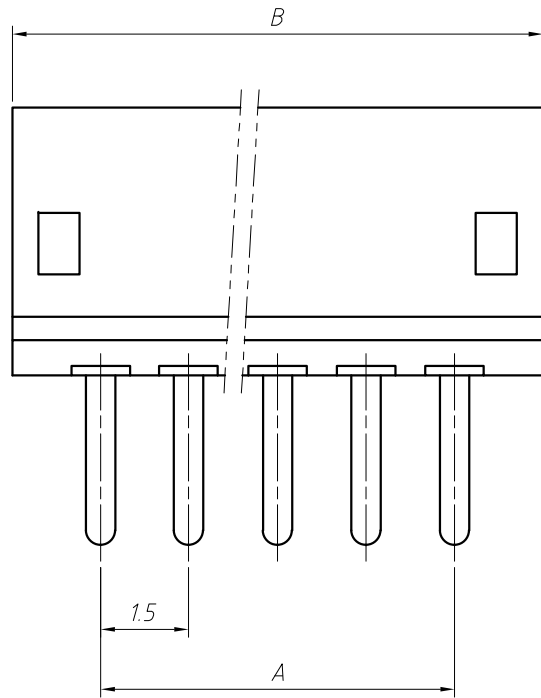
**Electrical Characteristics:**  
 1. Current rating: 1.0A  
 2. Voltage rating: 50V  
 3. Temperature range: -25°C to +85°C  
 4. Contact resistance: ≤20mΩ  
 5. Insulation resistance: ≥500MΩ  
 6. Withstand voltage: 500V AC/minute  
 7. Applicable wire: AWG #32 to #26  
 8. Applicable PC board thickness: 0.6mm to 1.2mm, 1.6mm

Range	>0~3	>3~18	>18~50	>50~120
Tolerance	±0.12	±0.15	±0.3	±0.5

**Order Information**

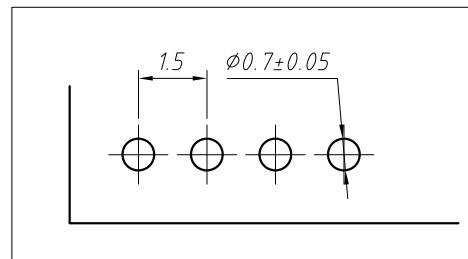


<b>GENERAL TOLERANCE</b>	<b>PROJECTION</b>		<b>Description:</b>
X. ±0.50	UNITS	mm	1.50mm ZH Type Wire To Board Connector
.X ±0.25	SCALE	1:1	
.XX ±0.10	Draw by:	Jenny	
<b>ANGLE TOLERANCE</b>	Check by:		KLS P/N: L-KLS1-XL1-1.50-T
X. ±5°	Date	2018-03-01	NingBo KLS ELECTRONIC CO.,L TD.
.X ±3°	SHEET	1 OF 1	
.XX ±2°			



**Material:**  
 Housing: PA66(UL 94 V-0/V-2), White  
 Contacts: Brass, Tin plating

- Electrical Characteristics:**
1. Poles: 2 to 16P
  2. Current rating: 1.0A
  3. Voltage rating: 50V
  4. Temperature range: -25°C to +85°C
  5. Contact resistance:  $\leq 20m\Omega$
  6. Insulation resistance:  $\geq 500M\Omega$
  7. Withstand voltage: 500V AC/minute
  8. Applicable wire: AWG #32 to #22
  9. Applicable PC board thickness: 1.2mm to 1.6mm

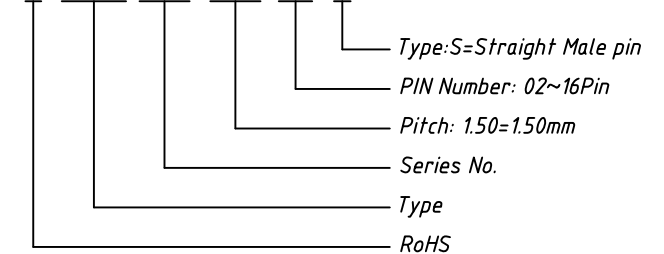


PCB LAYOUT

Circuit	Dimensions(mm)	
	A	B
02	1.50	4.50
03	3.00	6.00
04	4.50	7.50
05	6.00	9.00
06	7.50	10.50
07	9.00	12.00
08	10.50	13.50
09	12.00	15.00
10	13.50	16.50
11	15.00	18.00
12	16.50	19.50
13	18.00	21.00
14	19.50	22.50
15	21.00	24.00
16	22.50	25.50

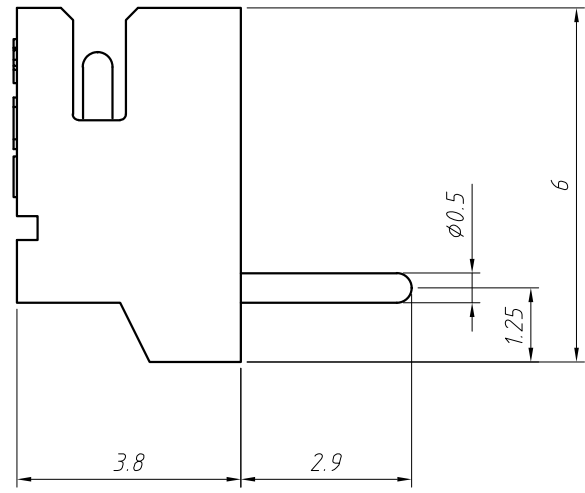
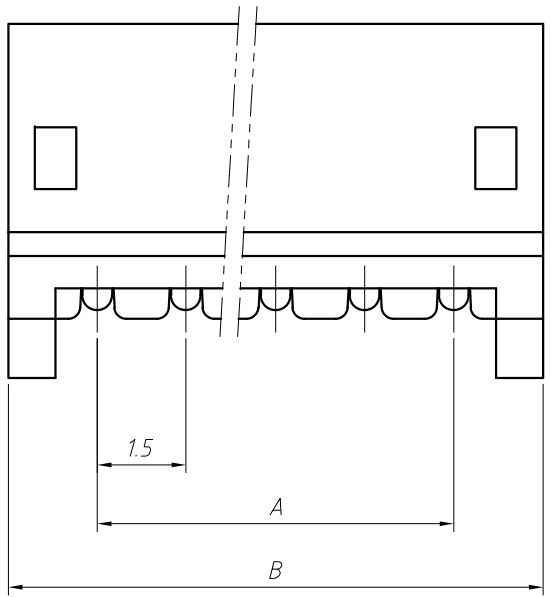
**Order Information**

L-KLS1-XL1-1.50-XX-S



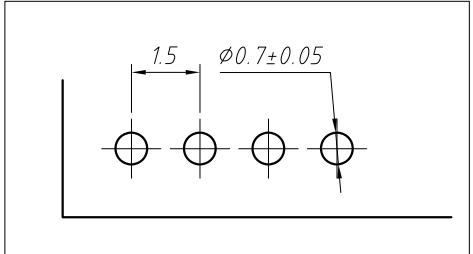
Range	>0~3	>3~18	>18~50	>50~120
Tolerance	±0.12	±0.15	±0.3	±0.5

GENERAL TOLERANCE	PROJECTION		Description:
X. ±0.50	UNITS	mm	1.50mm ZH Type Wire To Board Connector
.X ±0.25	SCALE	1:1	
.XX ±0.10	Draw by:	Jenny	
ANGLE TOLERANCE	Check by:		KLS P/N: L-KLS1-XL1-1.50-XX-S
X. ±5°	Date	2018-03-01	NingBo KLS ELECTRONIC CO.,L TD.
.X ±3°	SHEET	1 OF 1	
.XX ±2°			



**Material:**  
 Housing: PA66(UL 94 V-0/V-2), White  
 Contacts: Brass, Tin plating

- Electrical Characteristics:**
1. Poles: 2 to 16P
  2. Current rating: 1.0A
  3. Voltage rating: 50V
  4. Temperature range: -25°C to +85°C
  5. Contact resistance: ≤20mΩ
  6. Insulation resistance: ≥500MΩ
  7. Withstand voltage: 500V AC/minute
  8. Applicable wire: AWG #32 to #22
  9. Applicable PC board thickness: 1.2mm to 1.6mm

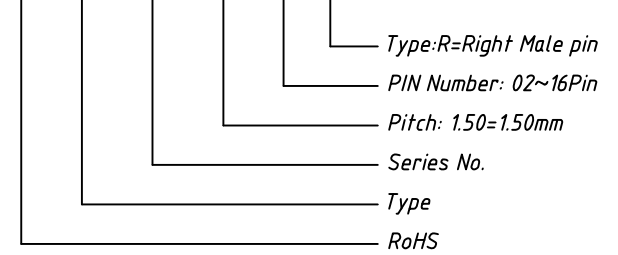


PCB LAYOUT

Circuit	Dimensions(mm)	
	A	B
02	1.50	4.50
03	3.00	6.00
04	4.50	7.50
05	6.00	9.00
06	7.50	10.50
07	9.00	12.00
08	10.50	13.50
09	12.00	15.00
10	13.50	16.50
11	15.00	18.00
12	16.50	19.50
13	18.00	21.00
14	19.50	22.50
15	21.00	24.00
16	22.50	25.50

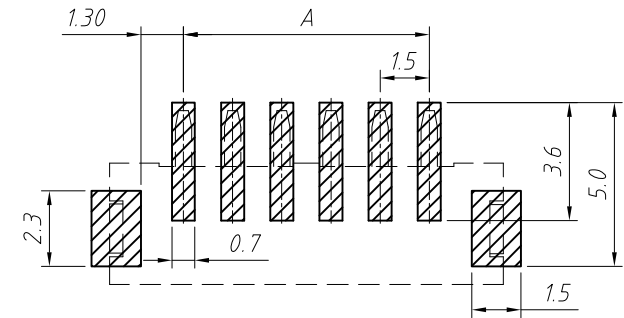
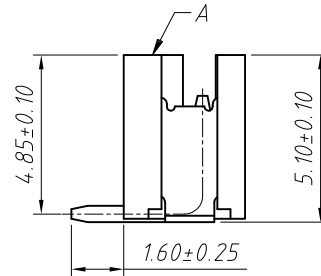
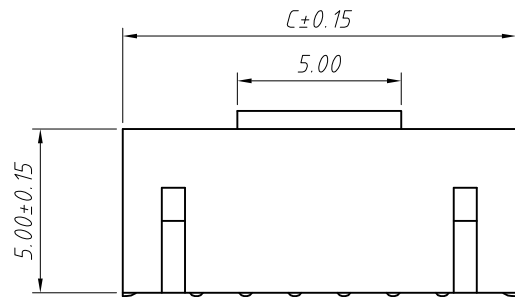
**Order Information**

L-KLS1-XL1-1.50-XX-R

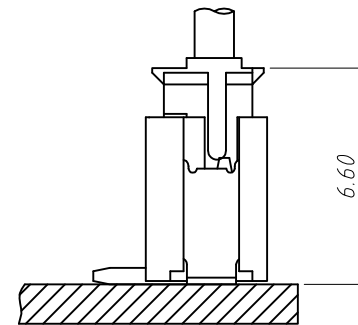
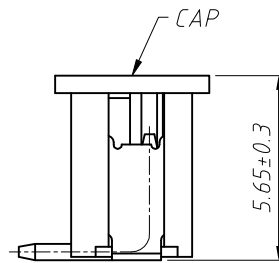
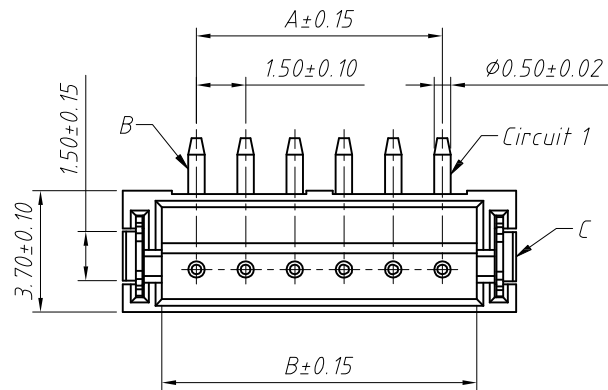


Range	>0~3	>3~18	>18~50	>50~120
Tolerance	±0.12	±0.15	±0.3	±0.5

GENERAL TOLERANCE	PROJECTION		Description:
X. ±0.50	UNITS	mm	1.50mm ZH Type Wire To Board Connector
.X ±0.25	SCALE	1:1	
.XX ±0.10	Draw by:	Jenny	
ANGLE TOLERANCE	Check by:		KLS P/N: L-KLS1-XL1-1.50-XX-R
X. ±5°	Date	2018-03-01	NingBo KLS ELECTRONIC CO.,L TD.
.X ±3°	SHEET	1 OF 1	
.XX ±2°			



Suggested PCB layout



Assembly Layout

Circuit	Dimensions(mm)		
	A	B	C
02	1.50	3.60	6.00
03	3.00	5.10	7.50
04	4.50	6.60	9.00
05	6.00	8.10	10.50
06	7.50	9.60	12.00
07	9.00	11.10	13.50
08	10.50	12.60	15.00
09	12.00	14.10	16.50
10	13.50	15.60	18.00
11	15.00	17.10	19.50
12	16.50	18.60	21.00
13	18.00	20.10	22.50
14	19.50	21.60	24.00
15	21.00	23.10	25.50
16	22.50	24.60	27.00

**Material:**

Insulator:LCP UL 94 V-0,Beige

Contacts:Brass,Tin Plated

Solder Tab:Phosphor Bronze,Tin Plated

Electrical Specification:

Poles: 02 to 16

Contact resistance:≤20mΩ

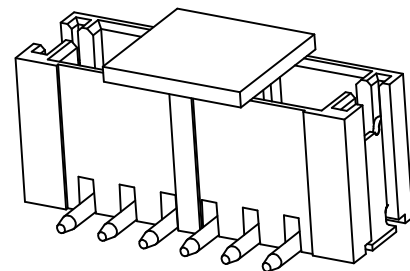
Insulation resistance:≥500MΩ

Rated voltage:125V AC DC

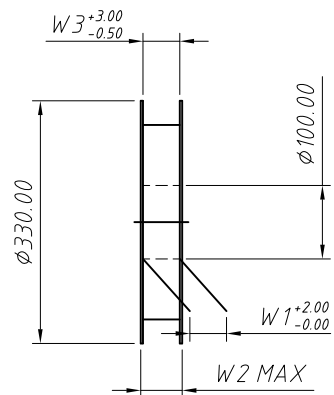
Rated current:1.0A AC DC

Withstand Voltage:500V AC/minute

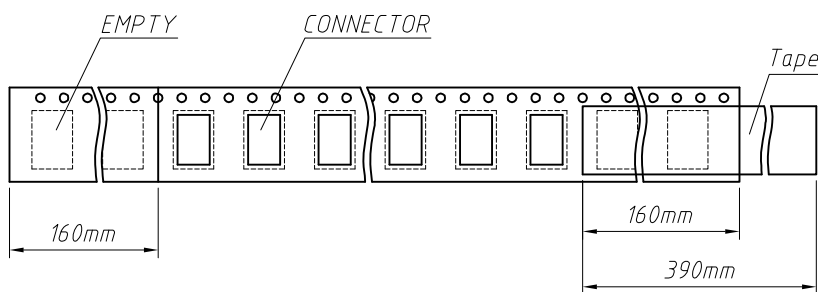
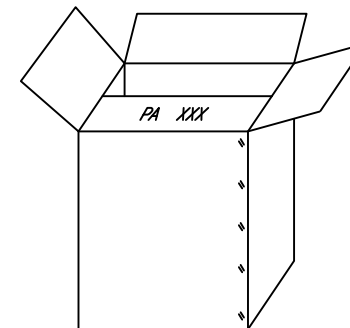
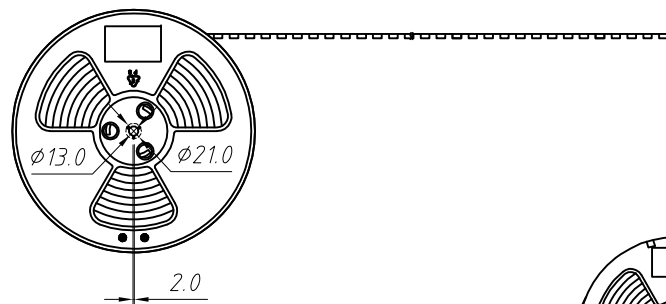
Temperature Range:-25℃~ +105℃



GENERAL TOLERANCE	PROJECTION		Description:
.X ±0.30	UNITS	mm	Ptich 1.50mm Vertical SMT Wafer
.X ±0.20	SCALE	1:1	
.XX ±0.10	Draw by:	Jenny	
ANGLE TOLERANCE	Check by:		KLS P/N: L-KLS1-XL1-1.50-XX-VM
.X ±5°	Date	2018-03-01	NingBo KLS ELECTRONIC CO.,L TD.
.X ±3°	SHEET	1 OF 1	
.XX ±2°			

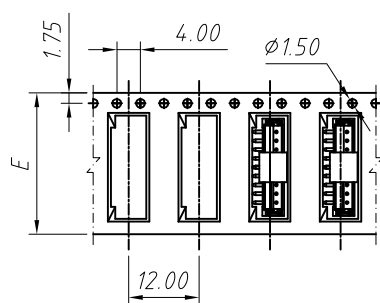


Gather material direction      Input material direction

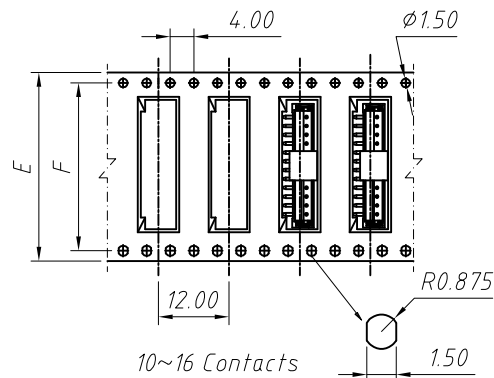


NOTE

- × Reel Material : HIPS
- × Carrier Material : Clear ,Conductive Polystyrene Alloy
- × Cover Tape Material : Polyester
- × Cover Tape Peel Strength: 0.1N-1.3N
- × Carrier Camber is within 1mm in 100mm
- × CARTON DIMENSION: 350(L)×345(W)×435(H)mm



02~09 Contacts



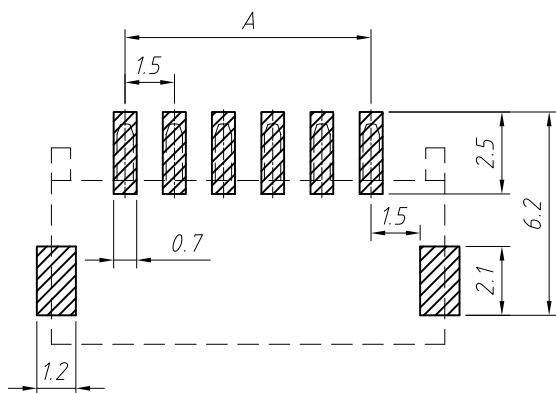
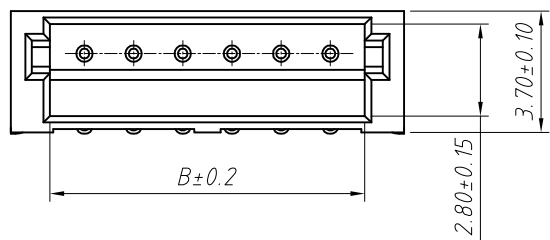
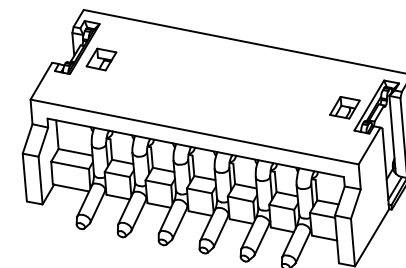
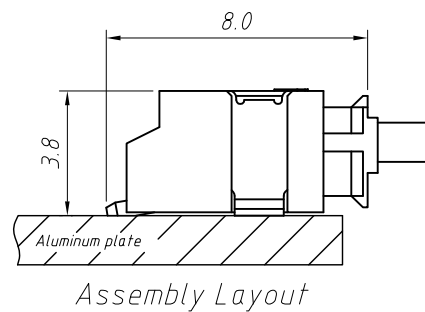
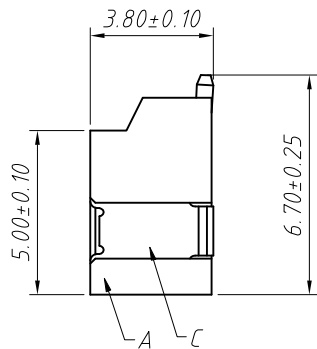
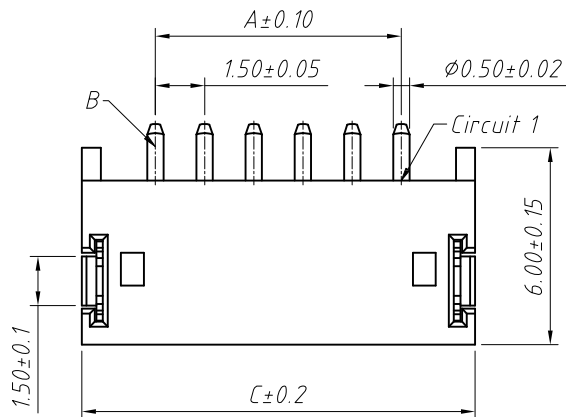
10~16 Contacts

× Quantity:

- (2-3)P 1000 PCS/Reel 20 REEL/CARTON 20000 PCS/ CARTON
- (4-8)P 1000 PCS/Reel 15 REEL/CARTON 15000 PCS/ CARTON
- (10-12)P 1000 PCS/Reel 11 REEL/CARTON 11000 PCS/ CARTON
- (13)P 1000 PCS/Reel 8 REEL/CARTON 8000 PCS/CARTON

Circuits	Dimensions(mm)					Packing(Reel/Caton)
	E	F	W1	W2	W3	
02-03 PIN	16.00	--	16.50	22.50	16.50	20/Reel
04-08 PIN	24.00	--	24.50	30.50	24.50	15/Reel
10-12 PIN	32.00	28.40	32.50	38.50	32.50	11/Reel
13 PIN	44.00	40.40	44.50	50.50	44.50	8/Reel

GENERAL TOLERANCE	PROJECTION		Description:
.X ±0.30	UNITS	mm	Packaging Specification Ptich 1.50mm Vertical SMT
.X ±0.20	SCALE	1:1	
.XX ±0.10	Draw by:	Jenny	
ANGLE TOLERANCE	Check by:		KLS P/N: L-KLS1-XL1-1.50-XX-VM
.X ±5°	Date	2018-03-01	NingBo KLS ELECTRONIC CO.,L TD.
.X ±3°	SHEET	1 OF 1	
.XX ±2°			



Circuit	Dimensions(mm)		
	A	B	C
02	1.50	3.60	6.00
03	3.00	5.10	7.50
04	4.50	6.60	9.00
05	6.00	8.10	10.50
06	7.50	9.60	12.00
07	9.00	11.10	13.50
08	10.50	12.60	15.00
09	12.00	14.10	16.50
10	13.50	15.60	18.00
11	15.00	17.10	19.50
12	16.50	18.60	21.00
13	18.00	20.10	22.50
14	19.50	21.60	24.00
15	21.00	23.10	25.50
16	22.50	24.60	27.00

Material:

Insulator:LCP UL 94 V-0,Beige

Contacts:Brass,Tin Plated

Solder Tab:Phosphor Bronze,Tin Plated

Electrical Specification:

Poles: 02 to 16

Contact resistance: $\leq 20m\Omega$

Insulation resistance: $\geq 500M\Omega$

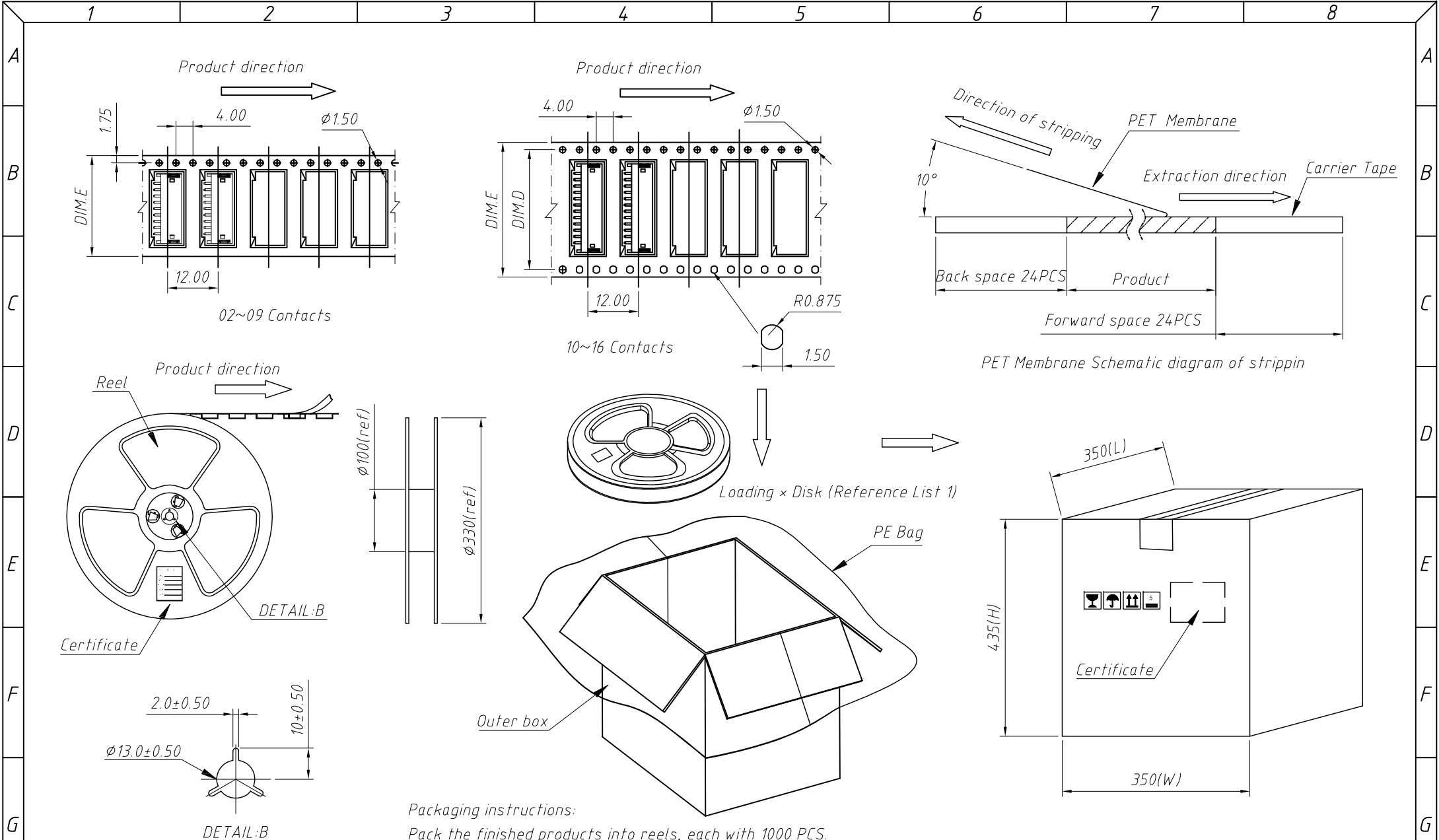
Rated voltage:125V AC DC

Rated current:1.0A AC DC

Withstand Voltage:500V AC/minute

Temperature Range:-25°C~ +105°C

GENERAL TOLERANCE	PROJECTION		Description:
X. $\pm 0.30$	UNITS	mm	Ptich 1.50mm Horizontal SMT Wafer
.X $\pm 0.20$	SCALE	1:1	
.XX $\pm 0.10$	Draw by:	Jenny	
ANGLE TOLERANCE	Check by:		KLS P/N: L-KLS1-XL1-1.50-XX-RM
X. $\pm 5^\circ$	Date	2018-03-01	NingBo KLS ELECTRONIC CO.,L TD.
.X $\pm 3^\circ$	SHEET	1 OF 1	
.XX $\pm 2^\circ$			



**Packaging instructions:**  
 Pack the finished products into reels, each with 1000 PCS.  
 The product will be packed by pasting a certificate on the reel.  
 The reel is put into the outer box, and the outer box is fitted with one first.  
 Large PE bags with qualified certificates affixed on the outer case.

Circuits	DIM.D	DIM.E	Q'ty/Reel	Packing Reel/Caron
02-03 PIN	--	16	1000 PCS	20/Reel
034-09 PIN	--	24	1000 PCS	15/Reel
10-11 PIN	28.4	32	1000 PCS	11/Reel
12-13 PIN	40.4	44	1000 PCS	8/Reel

GENERAL TOLERANCE	PROJECTION		Description:
.X ±0.30	UNITS	mm	Packaging Specification Ptich 1.50mm Horizontal SMT
.X ±0.20	SCALE	1:1	
.XX ±0.10	Draw by:	Jenny	KLS P/N: L-KLS1-XL1-1.50-XX-RM
ANGLE TOLERANCE	Check by:		NingBo KLS ELECTRONIC CO.,L TD.
.X ±5°	Date	2018-03-01	
.X ±3° .XX ±2°	SHEET	1 OF 1	