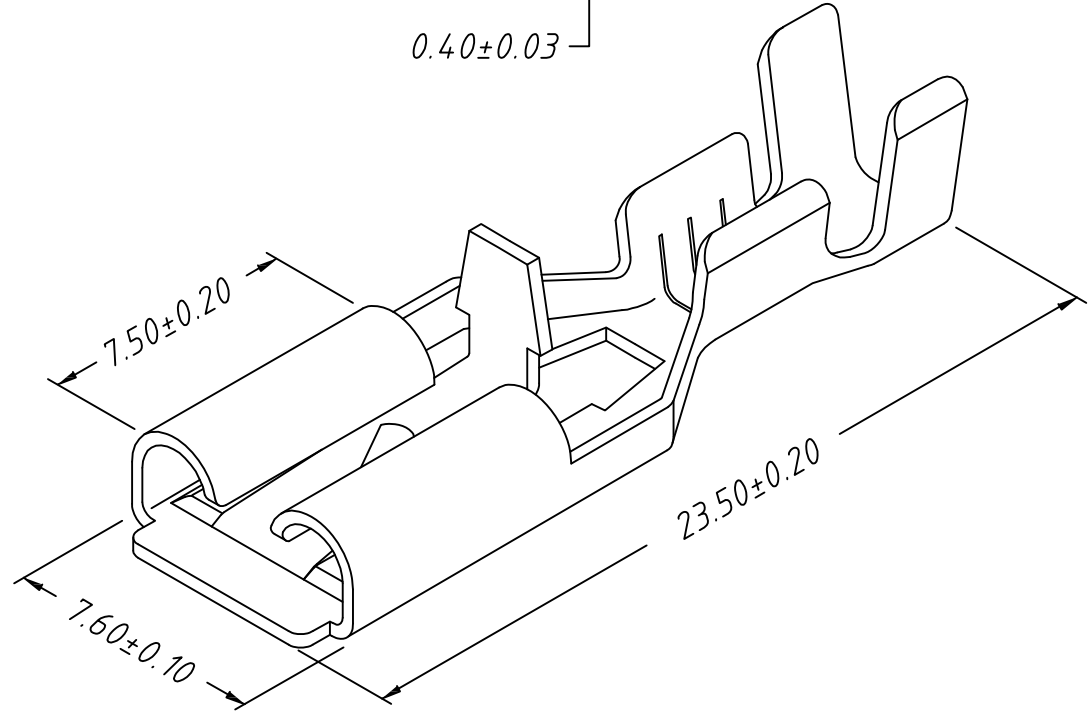
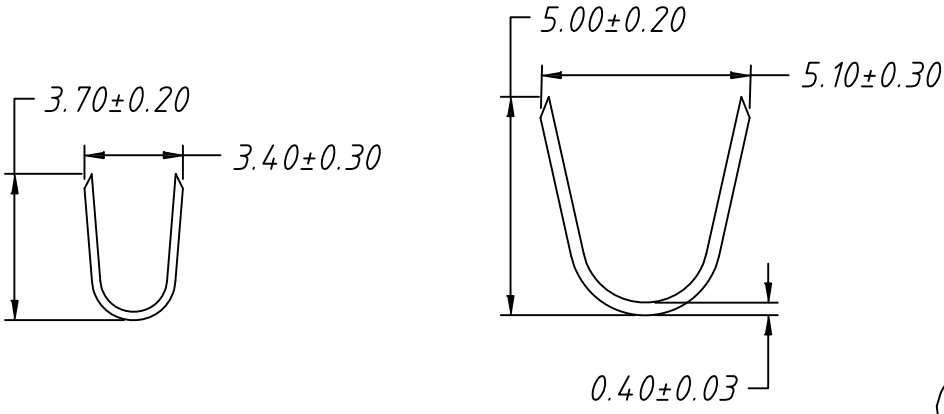


1  
RoHS Compliant



Note:  
 1. Appearance: Terminal cannot be corrected, scratched or oxidized  
 2. Material: Brass C2680, T=0.40mm, Tin plating  
 3. Q'TY: 4000PCS/REEL  
 4. Connectoin Table: W6.35×T0.80mm  
 5. Wire Range: 16~20AWG

TOLERANCE		PROJECTION	Description:
0 - 3mm	±0.10	UNITS	mm
3 - 6mm	±0.15	SHEET SIZE	A4
6 - 10mm	±0.20	KLS P/N: KLS8-DLS01-2500800	
10 - 30mm	±0.25	KLS ELECTRONIC	
Draw:	Daniel	ANGLE	±3°
Check:	Daniel	Data:	2019-04-10
		NingBo KLS ELECTRONIC CO.,L TD.	

250 Type LOCK  
Straight Female TERM.



NingBo KLS ELECTRONIC CO.,L TD.