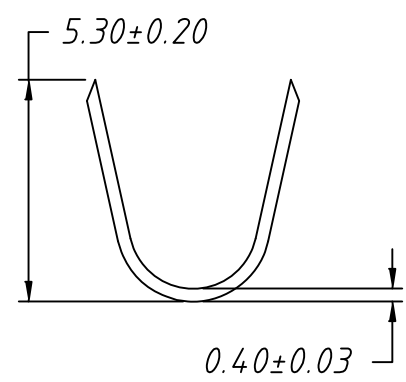
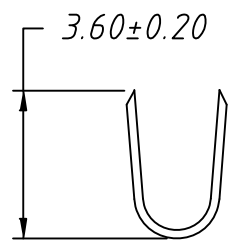
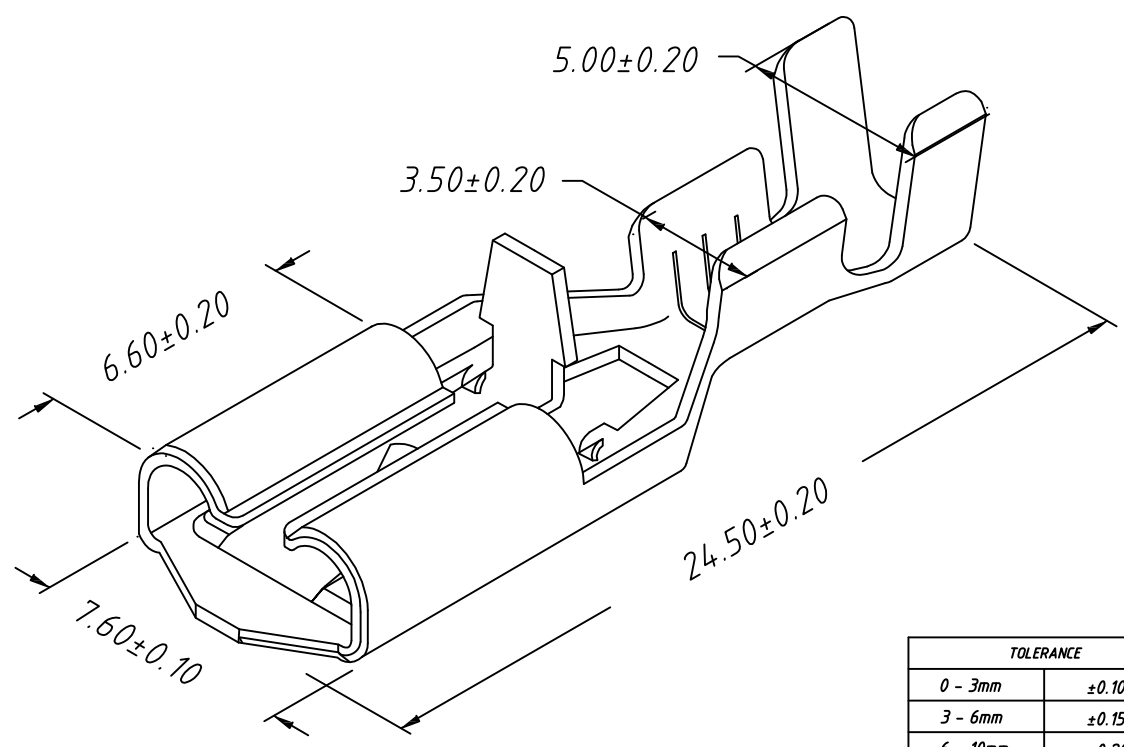


1
RoHS Compliant



Note:
 1. Appearance: Terminal cannot be corrected, scratched or oxidized
 2. Material: Brass C2680, T=0.40mm, Tin plating
 3. Q'TY: 4000PCS/REEL
 4. Connectoin Table: W6.35×T0.80mm
 5. Wire Range: 16~20AWG



TOLERANCE		PROJECTION	Description:
0 - 3mm	±0.10	UNITS	mm
3 - 6mm	±0.15	SHEET SIZE	A4
6 - 10mm	±0.20	KLS P/N: KLS8-DLS08-2500800	
10 - 30mm	±0.25		

Draw: Daniel ANGLE ±3°
 Check: Daniel Data: 2019-04-10

KLS NingBo KLS ELECTRONIC CO.,L TD.