

**Material:**  
 Housing: PBT+Glass Filled Polyester  
 Flammability Rating : UL94V-0  
 Contacts: Phosphor Bronze  
 Plating: Gold Plating  
  
**Electrical:**  
 Voltage Rating: 125VAC  
 Current Rating: 1.5A  
 Contact Resistance: 30mΩ Max.  
 Insulation Resistance: 500MΩ Min.  
 Dielectric Strength: 1000VAC Rms 50Hz,1 Min.  
 Durability: 600 cycles Min.  
 Operation Temperature:-40°C~+70°C

**Order Information**

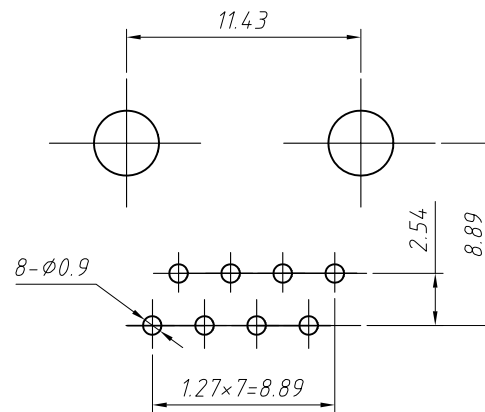
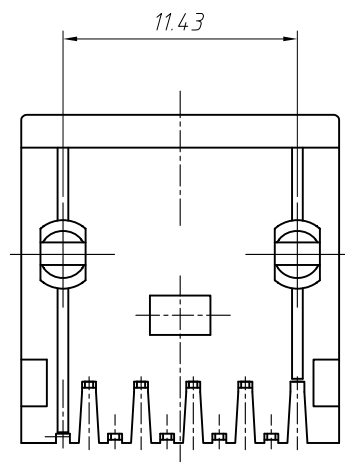
L-KLS12-158RA-8P8C-XX

RoHS

Contacts: 8P8C

Plating Code:

- 01-Fu" Gold Plating
- 02-3u" Gold Plating
- 03-6u" Gold Plating
- 04-15u" Gold Plating
- 05-30u" Gold Plating



PCB Layout

GENERAL TOLERANCE	PROJECTION		Description:
X. ±0.30	UNITS	mm	CAT6 RJ45-8P8C
.X ±0.25	SCALE	1:1	Modular jacks,without SHELL
.XX ±0.20	Draw by:	Jenny	KLS P/N: L-KLS12-158RA-8P8C-01
ANGLE TOLERANCE	Check by:	Daniel	NingBo KLS ELECTRONIC CO.,LTD.
X. ±3°	Date	2019-12-26	
.X ±2°	SHEET	1 OF 1	
.XX ±1°			