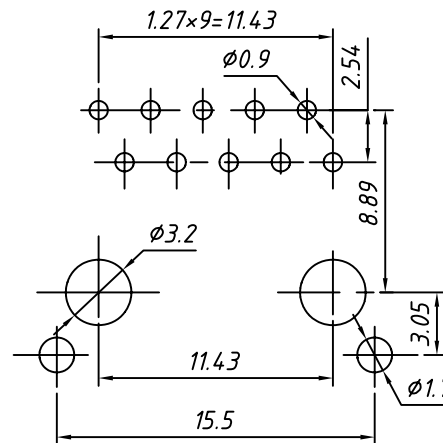
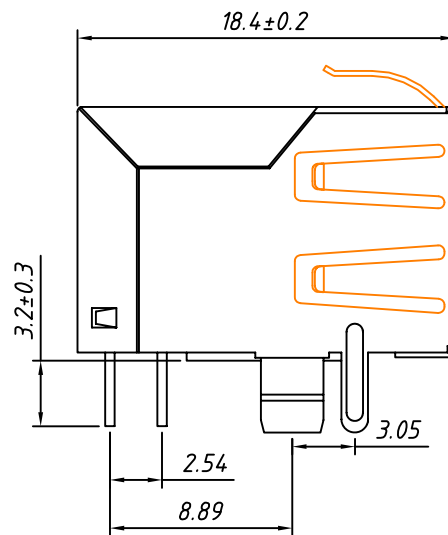
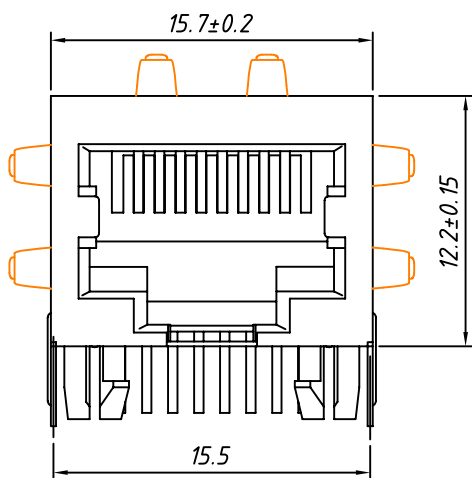


WITH Shield



PCB Layout



WITH EMI Shield

Material:  
 Housing: PBT+Glass Filled Polyester  
 Flammability Rating : UL94V-0  
 Contacts: Phosphor Bronze  $\phi 0.46\text{mm}$   
 Plating: Gold Plating  
 Shield: Brass, Tin Plating

Electrical:  
 Voltage Rating: 125VAC  
 Current Rating: 1.5A  
 Contact Resistance:  $30\text{m}\Omega$  Max.  
 Insulation Resistance:  $500\text{M}\Omega$  Min.  
 Dielectric Strength: 1000VAC Rms 50Hz, 1 Min.  
 Durability: 600 cycles Min.  
 Operation Temperature:  $-40^{\circ}\text{C} \sim +70^{\circ}\text{C}$

Order Information

L-KLS12-316-10P10C - 1x1-F-1 - XX

RoHS \_\_\_\_\_  
 Contacts: 10P10C \_\_\_\_\_  
               8P8C \_\_\_\_\_  
 Shield Code: F- with Shield \_\_\_\_\_  
               E- with EMI Shield \_\_\_\_\_  
 Shield Peg Code: \_\_\_\_\_  
                   1- Front 3.05mm \_\_\_\_\_  
 Plating Code: \_\_\_\_\_

01-Fu" Gold Plating  
 02-3u" Gold Plating  
 03-6u" Gold Plating  
 04-15u" Gold Plating  
 05-30u" Gold Plating

GENERAL TOLERANCE	PROJECTION		Description:
X. $\pm 0.30$	UNITS	mm	Modular jacks RJ50-xPxC 1x1 with Shield
.X $\pm 0.25$	SCALE	1:1	
.XX $\pm 0.20$	Draw by:	Jenny	KLS P/N: L-KLS12-316-xPxC-1x1-x-1-xx
ANGLE TOLERANCE	Check by:	Daniel	
X. $\pm 3^{\circ}$	Date	2018-03-01	NingBo KLS ELECTRONIC CO.,LTD.
.X $\pm 2^{\circ}$	SHEET	1 OF 1	
.XX $\pm 1^{\circ}$			