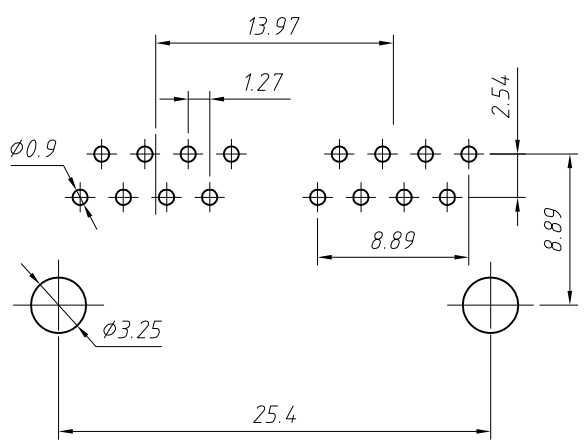
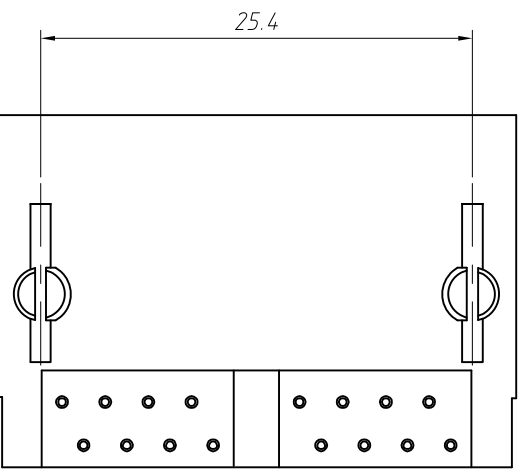
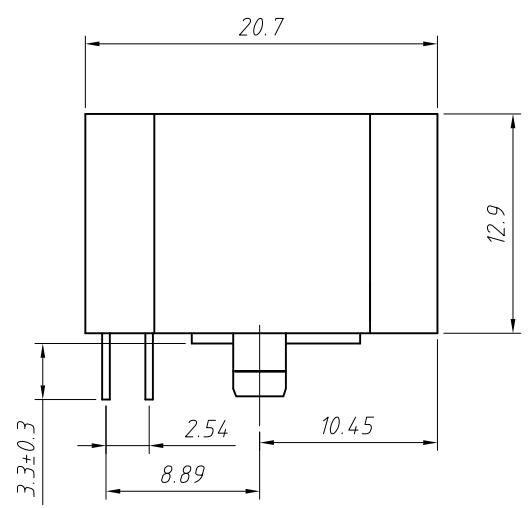
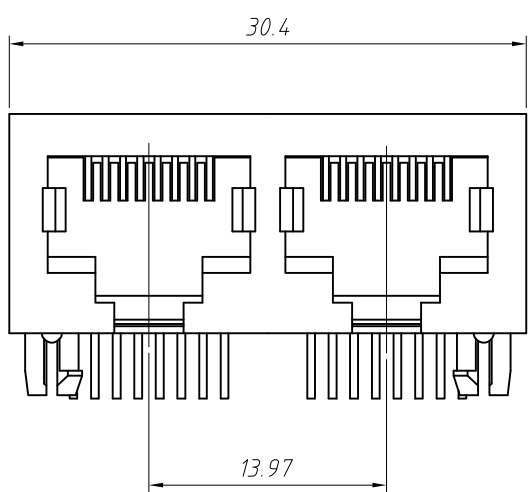


1 2 3 4 5 6 7 8

A  
B  
C  
D  
E  
F  
G  
H



PCB Layout

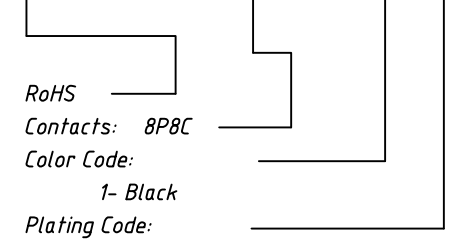


**Material:**  
 Housing: PBT+Glass Filled Polyester  
 Flammability Rating : UL94V-0  
 Contacts: Phosphor Bronze  $\phi 0.46\text{mm}$   
 Plating: Gold Plating

**Electrical:**  
 Voltage Rating: 125VAC  
 Current Rating: 1.5A  
 Contact Resistance: 30m $\Omega$  Max.  
 Insulation Resistance: 500M $\Omega$  Min.  
 Dielectric Strength: 1000VAC Rms 50Hz,1 Min.  
 Durability: 600 cycles Min.  
 Operation Temperature:-40 $^{\circ}\text{C}$ ~+70 $^{\circ}\text{C}$

Order Information

L-KLS12-323-8P8C -1x2- 1 - XX



RoHS  
 Contacts: 8P8C  
 Color Code:  
 1- Black  
 Plating Code:  
 01-Fu" Gold Plating  
 02-3u" Gold Plating  
 03-6u" Gold Plating  
 04-15u" Gold Plating  
 05-30u" Gold Plating

GENERAL TOLERANCE	PROJECTION		Description:
X. $\pm 0.30$	UNITS	mm	Modular jacks RJ45-8P8C 1x2 without Shield
.X $\pm 0.25$	SCALE	1:1	
.XX $\pm 0.20$	Draw by:	Jenny	KLS P/N: L-KLS12-323-8P8C-1x2-1-xx
ANGLE TOLERANCE	Check by:	Daniel	NingBo KLS ELECTRONIC CO.,LTD.
X. $\pm 3^{\circ}$	Date	2018-03-01	
.X $\pm 2^{\circ}$	SHEET	1 OF 1	
.XX $\pm 1^{\circ}$			

1 2 3 4 5 6 7 8